

# Dialogic® Digital Telephony Interface Boards

## Quick Install Card

- DMN160TEC
- DMT160TEC



Part number 64-0037-02  
Copyright © 2002-2007  
Dialogic Corporation.  
All Rights Reserved.

## Before You Begin



### Protecting the Board from Damage

**Caution!** All computer boards are sensitive to electrostatic discharge (“ESD”). Handle all static-sensitive boards and components at a static-safe work area, and observe anti-static precautions at all times.

If you are not familiar with ESD safety precautions, visit <http://www.dialogic.com/support/hwinstall> to learn more.

### Unpacking the Board

Unpack the Dialogic® Digital Telephony Interface Board (“board”) according to the following steps:

1. Prepare a static-safeguarded work area.
2. Carefully remove the board from the shipping carton and anti-static packaging. Handle the board by the edges and avoid touching the board’s components.
3. Lay the board on the static-dissipative work surface.

**Note:** Place boards in static-shielding bags when carrying boards from station to station.

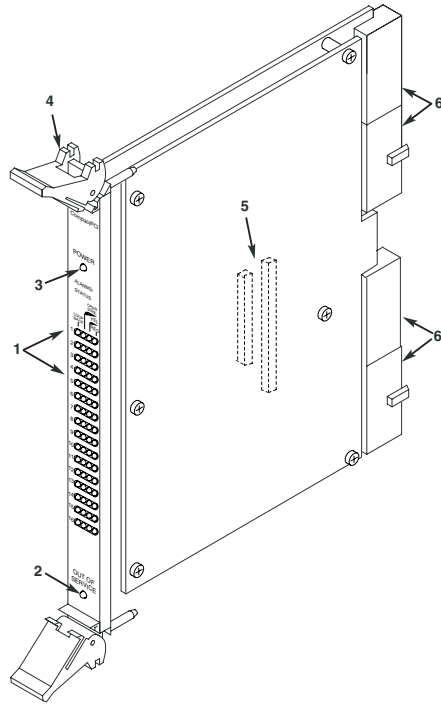
**CAUTION:** Do not remove the board from the anti-static packaging until you are ready to install it. Observe proper anti-static precautions at all times.

## Installing the Hardware

**NOTE:** The hardware must be installed before the Dialogic® System Software.

1. Turn the power to the chassis **OFF** if you do not have a live insertion system. If you have live insertion capability, the power to the chassis can remain **ON**.

## Physical Description



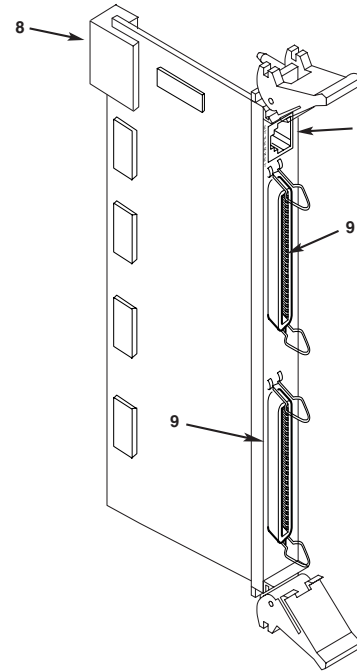
Compact PCI Baseboard \*

### 1. Alarm Status LEDs:

- Loopback - Indicates the T-1 or E-1 trunk is in loopback mode
- Green, Yellow, and Red - Indicate the following conditions:

Conditions	Green	Yellow	Red
Normal	ON	OFF	OFF
LOS CFA	OFF	OFF	ON
Red CFA	ON	OFF	ON
Red CFA,AIS CFA	ON	ON	ON
Yellow CFA	ON	ON	OFF
RAI/CRC CFA	ON	ON	OFF
ts16 Red CFA	ON	OFF	ON
ts16 Red CFA, ts16 AIS CFA	ON	OFF	ON
ts16 Yellow CFA	ON	OFF	ON

LOS - Loss of synchronization or signal  
CFA - Carrier Failure Alarm  
AIS - Alarm Indicator Signal  
RAI - Remote Alarm Indicator  
CRC - Cyclic Redundancy Check



Rear I/O Module (RIODM160RJ48M)

2. **Out of Service LED:** Indicates board is out of service or in reset from host
3. **Power LED**
4. **Board Extractor** (with red locking tab)
5. **J5:** Signal Processor daughterboard connector (DMT160TEC board only)
6. **P1, P2, P4, P5:** Compact PCI board connectors to backplane
7. **Ethernet Connector\*\*:** Connects to Ethernet network
8. **rP5:** Rear I/O module connector to Compact PCI backplane
9. **RJ-48M Connectors:** Connects to breakout box

\*The figure shows the DMT160TEC board, which has the daughterboard attached.

\*\*The connection to the Ethernet is used for debugging purposes only.

2. Remove the cover plate or open the front chassis door.
3. Select an empty peripheral expansion bus slot.

**NOTE:** When power is on, the Rear I/O module should be installed first, before the main board.

4. Install the Rear I/O module in the rear of the slot selected in step 3. Use the slot’s board guides as you insert the board into the chassis slot. Make sure that the tabs on the board extractors engage the guide holes in the chassis card cage, then lock down the board extractors until the red locking tabs snap shut.

### CAUTION

cPCI backplane pins are bent easily. Make sure that the board is seated with hand pressure before fully seating board. If board extractors are used to seat the board, make sure to seat evenly.

5. Install the board in the front of the slot selected in step 3. Use the slot’s board guides as you insert the board into the chassis slot. Make sure that the tabs on the board extractors engage the guide holes in the chassis card cage, then lock down the board extractors until the red locking tabs snap shut.

### CAUTION

cPCI backplane pins are bent easily. Make sure that the board is seated with hand pressure before fully seating board. If board extractors are used to seat the board, make sure to seat evenly.

**NOTE:** If the power to the chassis is on, power is automatically applied to the board, the Out of Service LED lights briefly and then goes out, and the Power LED goes on.

6. Tighten the retaining screws to secure the board firmly in the chassis slot (optional).
7. Select a new slot and repeat steps 4-6 for each board you are installing.
8. If the power to the chassis was turned **OFF** in step 1, turn the power to the chassis **ON**.

## Connecting External Cables

Connect cables from the breakout box to the Rear I/O module. Pinouts for the Rear I/O module RJ-48M connectors are shown below.

## Rear I/O Module RJ-48M Pinout for Connector A

Signal Name	Pin	Signal Name	Pin
STA1 RCV RING	A-1	STA5 RCV TIP	A-38
STA1 RCV TIP	A-26	STA5 XMIT RING	A-14
STA1 XMIT RING	A-2	STA5 XMIT TIP	A-39
STA1 XMIT TIP	A-27		A-15
	A-3		A-40
	A-28	STA6 RCV RING	A-16
STA2 RCV RING	A-4	STA6 RCV TIP	A-41
STA2 RCV TIP	A-29	STA6 XMIT RING	A-17
STA2 XMIT RING	A-5	STA6 XMIT TIP	A-42
STA2 XMIT TIP	A-30		A-18
	A-6		A-43
	A-31	STA7 RCV RING	A-19
STA3 RCV RING	A-7	STA7 RCV TIP	A-44
STA3 RCV TIP	A-32	STA7 XMIT RING	A-20
STA3 XMIT RING	A-8	STA7 XMIT TIP	A-45
STA3 XMIT TIP	A-33		A-21
	A-9		A-46
	A-34	STA8 RCV RING	A-22
STA4 RCV RING	A-10	STA8 RCV TIP	A-47
STA4 RCV TIP	A-35	STA8 XMIT RING	A-23
STA4 XMIT RING	A-11	STA8 XMIT TIP	A-48
STA4 XMIT TIP	A-36		A-24
	A-12		A-49
	A-37		A-25
STA5 RCV RING	A-13		A-50

## Rear I/O Module RJ-48M Pinout for Connector B

Signal Name	Pin	Signal Name	Pin
STA9 RCV RING	B-1	STA13 RCV TIP	B-38
STA9 RCV TIP	B-26	STA13 XMIT RING	B-14
STA9 XMIT RING	B-2	STA13XMIT TIP	B-39
STA9 XMIT TIP	B-27		B-15
	B-3		B-40
	B-28	STA14 RCV RING	B-16
STA10 RCV RING	B-4	STA14 RCV TIP	B-41
STA10 RCV TIP	B-29	STA14 XMIT RING	B-17
STA10 XMIT RING	B-5	STA14 XMIT TIP	B-42
STA10 XMIT TIP	B-30		B-18
	B-6		B-43
	B-31	STA15 RCV RING	B-19
STA11 RCV RING	B-7	STA15 RCV TIP	B-44
STA11 RCV TIP	B-32	STA15 XMIT RING	B-20
STA11 XMIT RING	B-8	STA15 XMIT TIP	B-45
STA11 XMIT TIP	B-33		B-21
	B-9		B-46
	B-34	STA16 RCV RING	B-22
STA12 RCV RING	B-10	STA16 RCV TIP	B-47
STA12 RCV TIP	B-35	STA16 XMIT RING	B-23
STA12 XMIT RING	B-11	STA16 XMIT TIP	B-48
STA12 XMIT TIP	B-36		B-24
	B-12		B-49
	B-37		B-25
STA13 RCV RING	B-13		B-50

## After Installing the Hardware

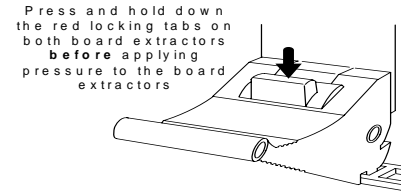
After installing the Dialogic® hardware, proceed with the software installation as described in the instructions included with the Dialogic® System Software. For technical specifications and product information go to: <http://www.dialogic.com/products.htm>.

## Removing the Board

Exercise caution when removing the board from a cPCI chassis. The board extractors are equipped with red locking tabs that lock when the board is correctly positioned in the chassis.

**CAUTION:** When removing the board, if the red locking tabs on the extractors are not pressed while applying pressure to the extractors, there is a risk of breaking the tabs.

To remove the board from the chassis, simultaneously press down both red locking tabs (see the figure below) on the extractors before applying pressure away from the center of the board to release the board from the chassis.



## Removing the Rear I/O Module

**NOTE:** In a live insertion (powered-on) system, do not remove and replace a Rear I/O module while the main (front) board is in service. Remove the front board first, then remove and replace the Rear I/O module, and then reinsert the front board.

Remove the Rear I/O module using the red locking tabs as described above.

## Warranty and Return Information

### Warranty Period

For specific warranty information for this board, refer to the Warranty section of the Products page, located at this URL: <http://www.dialogic.com/warranties/>.

### Contacting Technical Support

Dialogic provides technical support for its products through a network of value added distributors who are trained to answer technical questions on installing and configuring Dialogic® products. If you are unsure how to contact your support channel, please call Dialogic in the United States at 973-967-6600 (9am-5pm EST) and we will assist in obtaining the appropriate support channel. Outside the United States please refer to <http://www.dialogic.com/support/contact> to obtain local contact information.

Dialogic also provides direct support via Dialogic® Pro™ Services agreements. For more details of direct support from Dialogic please refer to: <http://www.dialogic.com/support/DialogicPro>.

## Returning a Product

To return a board for warranty repair or any other returns, please refer to the following: <http://www.dialogic.com/support/hwfaults>. To return a board for warranty repair, please refer to the following: <http://www.dialogic.com/support/hwfaults>. For all other returns, contact your vendor or Dialogic Customer Support (for more information, see <http://www.dialogic.com/support/contact/>).

## Sales Assistance

If you have a sales question, please contact your local Sales Representative or the Regional Sales Office for your area. Address, telephone and fax numbers, are available at the Dialogic website located at:

<http://www.dialogic.com/contact.htm>.

To purchase Dialogic® products, please refer to the following website to locate the appropriate supplier. <http://www.dialogic.com/purchase.htm>.

All contents of this document are furnished for informational use only and are subject to change without notice and do not represent a commitment on the part of Dialogic Corporation or its subsidiaries ("Dialogic"). Reasonable effort is made to ensure the accuracy of the information contained in the document. However, Dialogic does not warrant the accuracy of this information and cannot accept responsibility for errors, inaccuracies or omissions that may be contained in this document.

INFORMATION IN THIS DOCUMENT IS PROVIDED IN CONNECTION WITH DIALOGIC® PRODUCTS. NO LICENSE, EXPRESS OR IMPLIED, BY ESTOPPEL OR OTHERWISE, TO ANY INTELLECTUAL PROPERTY RIGHTS IS GRANTED BY THIS DOCUMENT. EXCEPT AS PROVIDED IN A SIGNED AGREEMENT BETWEEN YOU AND DIALOGIC, DIALOGIC ASSUMES NO LIABILITY WHATSOEVER, AND DIALOGIC DISCLAIMS ANY EXPRESS OR IMPLIED WARRANTY, RELATING TO SALE AND/OR USE OF DIALOGIC PRODUCTS INCLUDING LIABILITY OR WARRANTIES RELATING TO FITNESS FOR A PARTICULAR PURPOSE, MERCHANTABILITY, OR INFRINGEMENT OF ANY INTELLECTUAL PROPERTY RIGHT OF A THIRD PARTY.

Dialogic products are not intended for use in medical, life saving, life sustaining, critical control or safety systems, or in nuclear facility applications.

It is possible that the use or implementation of any one of the concepts, applications, or ideas described in this document, in marketing collateral produced by or on web pages maintained by Dialogic may infringe one or more patents or other intellectual property rights owned by third parties. Dialogic does not provide any intellectual property licenses with the sale of Dialogic products other than a license to use such product in accordance with intellectual property owned or validly licensed by Dialogic and no such licenses are provided except pursuant to a signed agreement with Dialogic. More detailed information about such intellectual property is available from Dialogic's legal department at 9800 Cavendish Blvd., 5<sup>th</sup> Floor, Montreal, Quebec, Canada H4M 2V9. **Dialogic encourages all users of its products to procure all necessary intellectual property licenses required to implement any concepts or applications and does not condone or encourage any intellectual property infringement and disclaims any responsibility related thereto. These intellectual property licenses may differ from country to country and it is the responsibility of those who develop the concepts or applications to be aware of and comply with different national license requirements.**

Dialogic, Diva, Eicon, Eicon Networks, Eiconcard, Dialogic Pro and SIPcontrol, among others, are either registered trademarks or trademarks of Dialogic. Dialogic's trademarks may be used publicly only with permission from Dialogic. Such permission may only be granted by Dialogic's legal department at 9800 Cavendish Blvd., 5<sup>th</sup> Floor, Montreal, Quebec, Canada H4M 2V9. Any authorized use of Dialogic's trademarks will be subject to full respect of the trademark guidelines published by Dialogic from time to time and any use of Dialogic's trademarks requires proper acknowledgement. The names of actual companies and products mentioned herein are the trademarks of their respective owners.