



Dialogic[®] IMG 1010 Integrated Media Gateway

Quick Start Guide

Copyright and legal notice

Copyright © 2005-2010 Dialogic Corporation. All Rights Reserved. You may not reproduce this document in whole or in part without permission in writing from Dialogic Corporation at the address provided below.

All contents of this document are furnished for informational use only and are subject to change without notice and do not represent a commitment on the part of Dialogic Corporation or its subsidiaries ("Dialogic"). Reasonable effort is made to ensure the accuracy of the information contained in the document. However, Dialogic does not warrant the accuracy of this information and cannot accept responsibility for errors, inaccuracies or omissions that may be contained in this document.

INFORMATION IN THIS DOCUMENT IS PROVIDED IN CONNECTION WITH DIALOGIC® PRODUCTS. NO LICENSE, EXPRESS OR IMPLIED, BY ESTOPPEL OR OTHERWISE, TO ANY INTELLECTUAL PROPERTY RIGHTS IS GRANTED BY THIS DOCUMENT. EXCEPT AS PROVIDED IN A SIGNED AGREEMENT BETWEEN YOU AND DIALOGIC, DIALOGIC ASSUMES NO LIABILITY WHATSOEVER, AND DIALOGIC DISCLAIMS ANY EXPRESS OR IMPLIED WARRANTY, RELATING TO SALE AND/OR USE OF DIALOGIC PRODUCTS INCLUDING LIABILITY OR WARRANTIES RELATING TO FITNESS FOR A PARTICULAR PURPOSE, MERCHANTABILITY, OR INFRINGEMENT OF ANY INTELLECTUAL PROPERTY RIGHT OF A THIRD PARTY.

Dialogic products are not intended for use in medical, life saving, life sustaining, critical control or safety systems, or in nuclear facility applications.

Due to differing national regulations and approval requirements, certain Dialogic products may be suitable for use only in specific countries, and thus may not function properly in other countries. You are responsible for ensuring that your use of such products occurs only in the countries where such use is suitable. For information on specific products, contact Dialogic Corporation at the address indicated below or on the web at www.dialogic.com.

It is possible that the use or implementation of any one of the concepts, applications, or ideas described in this document, in marketing collateral produced by or on web pages maintained by Dialogic may infringe one or more patents or other intellectual property rights owned by third parties. Dialogic does not provide any intellectual property licenses with the sale of Dialogic products other than a license to use such product in accordance with intellectual property owned or validly licensed by Dialogic and no such licenses are provided except pursuant to a signed agreement with Dialogic. More detailed information about such intellectual property is available from Dialogic's legal department at 9800 Cavendish Blvd., 5th Floor, Montreal, Quebec, Canada H4M 2V9. **Dialogic encourages all users of its products to procure all necessary intellectual property licenses required to implement any concepts or applications and does not condone or encourage any intellectual property infringement and disclaims any responsibility related thereto. These intellectual property licenses may differ from country to country and it is the responsibility of those who develop the concepts or applications to be aware of and comply with different national license requirements.**

Dialogic, Dialogic Pro, Brooktrout, Diva, Diva ISDN, Making Innovation Thrive, Video is the New Voice, Diastar, Cantata, TruFax, SwitchKit, SnowShore, Eicon, Eicon Networks, NMS Communications, NMS (stylized), Eiconcard, SIPcontrol, TrustedVideo, Exnet, EXS, Connecting to Growth, Fusion, Vision, PacketMedia, NaturalAccess, NaturalCallControl, NaturalConference, NaturalFax and Shiva, among others as well as related logos, are either registered trademarks or trademarks of Dialogic Corporation or its subsidiaries. Dialogic's trademarks may be used publicly only with permission from Dialogic. Such permission may only be granted by Dialogic's legal department at 9800 Cavendish Blvd., 5th Floor, Montreal, Quebec, Canada H4M 2V9. Any authorized use of Dialogic's trademarks will be subject to full respect of the trademark guidelines published by Dialogic from time to time and any use of Dialogic's trademarks requires proper acknowledgement.

Hardware Limited Warranty

Please refer to the following Dialogic web site for information on hardware warranty information, which applies unless different terms have been agreed to in a signed agreement between yourself and Dialogic Corporation or its subsidiaries. The listed hardware warranty periods and terms are subject to change without notice. For purchases not made directly from Dialogic please contact your direct vendor in connection with the warranty period and terms that they offer.

<http://www.dialogic.com/warranties>

IMPORTANT NOTE:

Please be aware that the following terminology and abbreviations are used throughout this document. Please also be sure to consult the legal notice for other important details.

When used herein, the term "IMG 1010" refers to the "Dialogic® IMG 1010 Integrated Media Gateway" product.

When used herein, the term "GCEMS" refers to the "Dialogic® Gate Control Element Management System"

Table of Contents

- 1. Overview 1**
- Shipping Information1
- Connecting AC Power1
 - Power Specifications1
 - AC Power Module.....1
- Connecting DC Power.....2
 - Power Specifications:2
 - 48vdc wiring.....2
- Grounding IMG1010 (DC Version Only)3
- Procedure.....3
- Configuring Linux on GCEMS server3
- Connecting and Configuring Network Management Port 'CTRL 0'4
- Installing GCEMS software.....5
- Connecting DATA0 Port6
- Connecting TDM Signaling and Bearer Ports.....7
- Starting ClientView to start Configuring Switch.....7

Revision history

Revision	Release date	Notes
07-8728-05	April 2009	N/A
Last modified: March 2010		

Refer to www.dialogic.com for product updates and for information about support policies, warranty information, and service offerings.

1. Overview

This IMG 1010 Quick Start Guide is an abbreviated guide which explains how to connect power and network cabling. For more information on installation and setup, please reference the online documentation at <http://www.dialogic.com/manuals>.

Shipping Information

Review the packing list to check that all the items listed on the packing list have been sent. Should any discrepancies exist, contact your Dialogic Representative immediately.

Connecting AC Power

Power Specifications

If the IMG 1010 is powered by AC voltage then the AC input power must conform to the specifications in the table below. Insert one end of AC cord into rear of IMG 1010 and the other end into a grounded wall outlet, uninterruptible power supply (UPS), or surge protector.

	AC	Operating Range
Power	120 – 240 VAC / 2 - 1.5 Amps	90 – 240 VAC
Frequency	50 or 60 Hz	50-60 Hz

AC Power Module

The AC power docking station provides an AC input power module with an integrated fuse, power switch, and standard three position female AC input connector. This connector allows the docking station to interface with all variations of AC outlets by simply using a standard power cable and compatible outlet plug. See **IMG 1010-Installation and Setup Guide > IMG 1010-Hardware Installation** in online documentation for more information on connecting AC power.

Connecting DC Power

Caution: Do not “daisy-chain” power connections on two or more IMG 1010 chassis.

Caution: Do not wire chassis directly to other equipment or a common bus bar. The DC power module must be wired directly to a -48vdc fused power source.

Power Specifications:

If the IMG 1010 is powered by DC voltage, the DC input power must conform to the specifications in the table below.

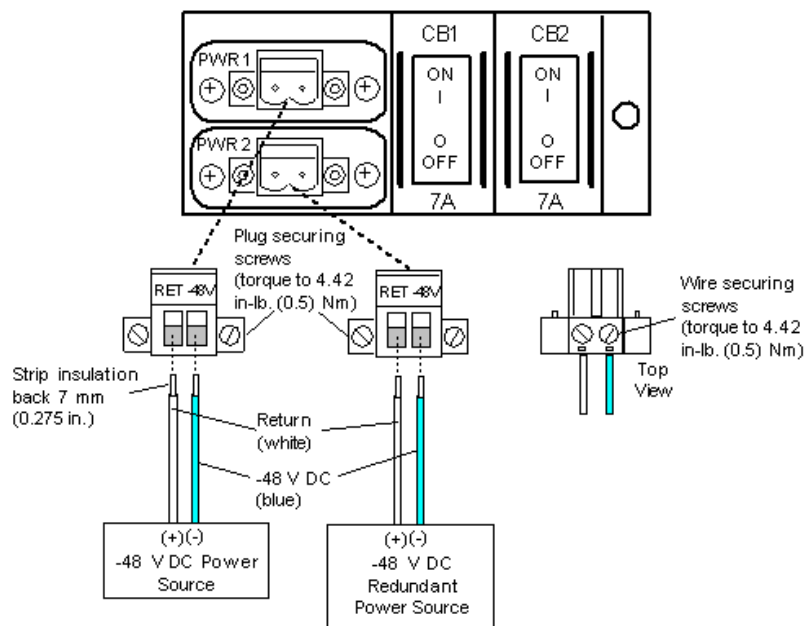
	DC	Operating Range
Power	-48 VDC Nominal / 2 Amps	-40 to -60 VAC

-48vdc wiring

When connecting -48 vdc to the IMG 1010, follow the instructions in the table and diagram below.

#14-16 AWG Machine Tool Wire (MTW)	Blue= -48v White= -48v return
DC Power Module Plugs	Dialogic Supplied (In Plastic Bag)

Caution: The DC power module plugs are polarity-sensitive. The unit will not operate if the plugs are not wired correctly, as shown below.



For more information on connecting DC power see **IMG 1010-Installation and Setup Guide > IMG 1010-Hardware Installation** in the online documentation.

Grounding IMG1010 (DC Version Only)

The DC version of the IMG 1010 should be connected to a true earth ground. To connect chassis to ground you will need the following equipment:

- 14-16 AWG machine tool wire (MTW) (green/yellow)
- # 10 solder-less crimp connector with two-hole mounting option to connect to grounding lug. (Dialogic-supplied).

Procedure

1. Remove the two-hole grounding lug at the rear of the IMG 1010 by removing the grounding screws.
2. Crimp the grounding wire to the lug. Re-attach the lug to the unit using the grounding screws.
3. Attach the other end of grounding wire to either a grounding point on the mounting rack or a building ground point.

For more information on connecting IMG 1010 to ground see **IMG 1010-Installation and Setup Guide > IMG 1010-Hardware Installation** in Online Documentation.

Configuring Linux on GCEMS server

IMPORTANT: Please read and understand the IMG 1010 technical documentation prior to performing any setup or installation procedures. The documentation can be accessed through the following site: <http://www.dialogic.com/manuals>

If the IMG 1010 was purchased with the GCEMS Server then the Linux Red Hat Operating System and GCEMS application have already been installed. Downloading System Software to the IMG 1010 will be the next step. See paths below in online documentation.

- IMG 1010-Installation and Setup Guide > IMG 1010-Software Installation and Setup

If server was not purchased, then a server must be configured with Red Hat Enterprise Linux. The IMG 1010 supports Red Hat Enterprise Linux 3, Red Hat Enterprise Linux 4 and Red Hat Enterprise Linux 5. Refer to the individual topics located under each of the following headings in the Online Documentation for more information on configuring the Linux Server.

- IMG 1010-Installation and Setup Guide > IMG 1010-Linux Red Hat Installation
- IMG 1010-Installation and Setup Guide > IMG 1010-Software Installation and Setup
- IMG 1010-Installation and Setup Guide > IMG 1010-SD Card
- Configuring Services on GCEMS Server

Connecting and Configuring Network Management Port 'CTRL 0'

The information below will provide the user with a basic setup sequence for connecting and configuring the IMG 1010 along with the GCEMS server to download system software and start configuring the IMG 1010 using the ClientView GUI. On the rear of the IMG 1010 are the network interfaces. The first interface -CTRL 0- is a Fast Ethernet port dedicated to network management. This port is connected to the GCEMS server and allows the GCEMS server to access the IMG 1010.

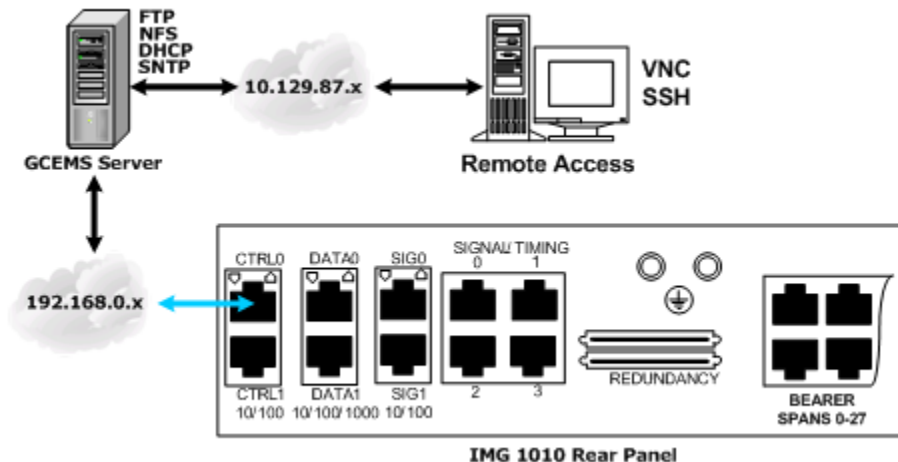
1. Connect up the cables as shown in the first figure below.
2. Once the cables are connected, configure FTP and DHCP on the GCEMS server. Locate the MAC address that is printed on a label located on the underside rear of the IMG 1010. This will be used in the dhcpd.conf file creation.

For more information on how to set up the services above refer to the topics under the following sections in the online documentation.

- IMG 1010-Installation and Setup Guide > IMG 1010-Software Installation and Setup

If your setup requires using an SD card to load system software refer to the topics under the IMG 1010-SD Card heading below in Online Documentation.

- IMG 1010-Installation and Setup Guide > IMG 1010-SD Card



Installing GCEMS software.

To take advantage of all new features, it is recommended that the latest version of GCEMS software be installed on the GCEMS Server. The most current software can be obtained from the Dialogic Technical Support website.

1. Go to the Dialogic Support Technical Website at <http://www.dialogic.com/support>
2. Select '**Downloads**'. You will require a logon username and password to access the downloads site. (A support contract is needed to access this site.) Within this site will be two software binary files with the following format. Download the latest version of these files.

- IMG_10.5.x.135.bin
- IMGUserInterface_10.5.x.135.bin

Note: If you do not have a support contract with Dialogic, then the software supplied to you on the Software CD can be used.

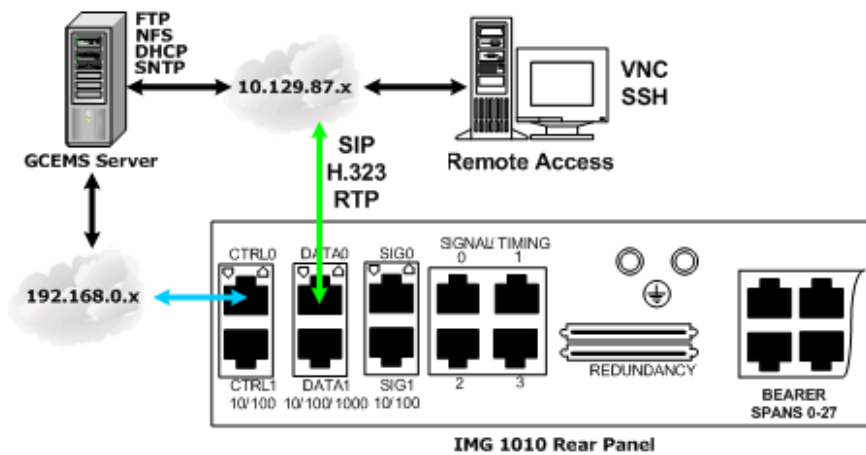
3. Refer to the topics under the following headings in the Online Documentation to install the GCEMS software
 - IMG 1010-Installation and Setup Guide > IMG 1010-Software Installation and Setup

Connecting DATA0 Port

1. The port DATA 0 that is located on the rear of the IMG 1010 is a Gigabit-Ethernet port and is dedicated to VoIP Bearer traffic. The DATA 0 port can be on either the same IP network as the management network, or can be connected to a separate network. See the topics under the following headings in the Online Documentation for more information.

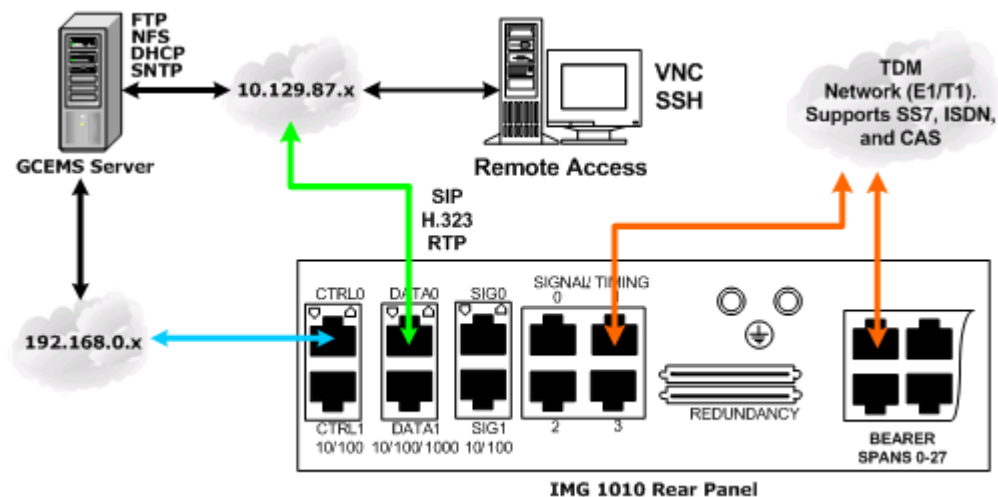
- IMG 1010-Installation and Setup Guide > IMG 1010-Hardware Installation

2. The IP addresses for these ports will be assigned through the ClientView GUI. See the ClientView section below for more information.



Connecting TDM Signaling and Bearer Ports

- The Bearer ports (Interface Offsets) 0-27 are connected to the TDM network. Each Bearer Port can have signaling and bearer channels configured on it.
- The Signaling/Timing Ports are connected to the TDM network, and can also be used for signaling and bearer traffic the same as the Bearer ports. See the 'T1/E1' under the 'Configuration' section in the online help for more information.
- SS7 Signaling links and ISDN D-channels can be brought in over either the Signal/Timing Ports or the Bearer Ports. See 'signaling' under the 'Configuration' section in the Online Documentation for more information.



Starting ClientView to start Configuring Switch

Once the IMG 1010 has software installed, the cabling is connected, and the GCEMS server has been configured, the ClientView application can be used to configure the system. Below are a few topics from the Online Documentation to get started on configuring the IMG 1010 through the ClientView GUI.

- Configuration > ClientView > (All topics under this book)
- Configuration > Introduction
- Configuration > Node Configuration Wizard
- Configuration > Basic Configuration

From here, the IMG 1010 can be configured for your network. Use the Online Manual Configuration, Clientview, and ClientView Pane sections to configure the IMG 1010.