

Enabling BRI and Analog Connectivity for Dialogic® Host Media Processing Software

Dialogic® Diva® SIPcontrol™ software converts Dialogic® Diva® boards into SIP-enabled PSTN/IP gateways. When SIPcontrol software is used with Dialogic® Host Media Processing (HMP) Software for Windows and Dialogic® Diva® BRI and/or Analog boards, HMP-based applications can connect seamlessly through ISDN BRI and/or analog interfaces in a hybrid TDM/IP environment, using SIP. See Figure 1 for an illustration of how the elements work together.

Call control information from the Dialogic Diva boards is translated into SIP messages, and voice channels are converted into IP packets and streamed via the RTP protocol into the HMP environment.

During fax calls, Digital Signal Processor (DSP) resources on the Dialogic Diva boards terminate the TDM fax call and process V.34 fax modulation up to 33.6 Kbps. As a result, fax information can be relayed over IP using the industry-standard T.38 protocol.

SIPcontrol software also provides echo cancellation with up to 128 ms tail length and supports DTMF collection/generation via the DSP resources of the Dialog Diva boards.

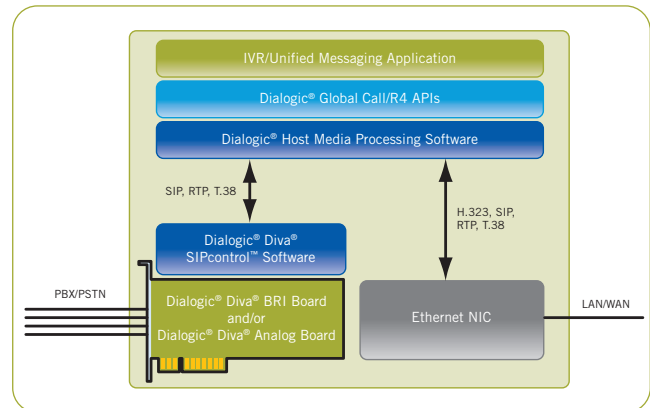


Figure 1. BRI and Analog Connectivity for Dialogic HMP Software

Key Benefits

Combining Dialogic HMP software with SIPcontrol software and Dialogic Diva BRI or Analog boards provides the following benefits.

- Seamless ISDN BRI and analog connectivity for HMP**
 Dialogic Diva BRI and Analog boards provide an HMP environment with the connectivity necessary to interface with any type of BRI- and analog-based TDM equipment. Calls are processed and delivered to the HMP application, which handles them via field-proven Dialogic® Global Call and Dialogic® R4 APIs.
- No added PSTN call control required**
 HMP applications written using Dialogic Global Call and Dialogic R4 APIs can be extended to work in an ISDN BRI and analog hybrid TDM/IP environment without adding PSTN call control to the application.
- International ISDN and vendor-specific PBX connectivity for HMP**
 Because Dialogic Diva boards support all major national ISDN protocols, the TDM-IP connectivity created by combining Dialogic HMP software, SIPcontrol software, and Dialogic Diva BRI boards is ready for use virtually anywhere in the world. Dialogic Diva BRI boards also support the QSIG protocol and vendor-specific implementations of supplementary services, which ensures that Dialogic BRI boards work directly with the PBX systems of all key vendors.
- High-performance media processing enhanced with powerful DSPs**
 Each channel on a Dialogic Diva board is equipped with a powerful DSP, ensuring real-time processing of complex operations such as DTMF detection/generation, fax transcoding, and echo cancellation. With these high-performance functions handled on the board, the host CPU has more resources available for the Dialogic HMP software to process additional IP connections concurrently.
- Cutting-edge interface board design**
 Utilizing the latest hardware technology, Dialogic Diva BRI and Analog boards are compliant with current PCI 2.2 specifications. The boards also offer 3.3/5V universal signaling and up to 33 MHz clock support, and can be operated in any PCI or PCI-X based server, all with very low power consumption.
- Easy to install and configure**
 All Dialogic Diva BRI and Analog boards conform to plug-and-play standards, assuring easy installation. A GUI-based tool makes configuration simple and straightforward.

Technical Specifications

Software	<ul style="list-style-type: none">• Dialogic® Host Media Processing Software Release 3.0 for Windows• Dialogic® Diva® SIPcontrol™ Version 1.5
Supported Boards	<ul style="list-style-type: none">• Dialogic® Diva® BRI-2 — 2 BRI channels• Dialogic® Diva® 4BRI-8 — 8 BRI channels• Dialogic® Diva® V-BRI-2 — 2 BRI channels• Dialogic® Diva® V-4BRI-8 — 8 BRI channels• Dialogic® Diva® Analog-2P — 2 Analog channels• Dialogic® Diva® Analog-4P — 4 Analog channels• Dialogic® Diva® Analog-8P — 8 Analog channels• Dialogic® Diva® V-Analog-4P — 4 Analog channels• Dialogic® Diva® V-Analog-8P — 8 Analog channels
Channel Density	<ul style="list-style-type: none">• Up to four boards per system
Gateway Bundles	<ul style="list-style-type: none">• BRI-2MRV30Q — One (1) Dialogic Diva BRI-2 board with the following Dialogic HMP software licenses: two (2) Voice, two (2) G.711 RTP, and two (2) IP Call Control• 4BRI-8MRV30Q — One (1) Dialogic Diva 4BRI-8 board with the following Dialogic HMP software licenses: 8 Voice, 8 G.711 RTP and 8 IP Call Control HMP 3.0 licenses

Note: Both [Dialogic HMP software](#) and [Dialogic Diva SIPcontrol](#) are available for free download from the Dialogic website. Only Dialogic HMP software licenses are required, and they are included in the bundles.

Ordering Information

Bundles or other combinations of boards and software licenses may be ordered through your Dialogic account manager or a [Dialogic authorized distributor](#).

Bundle Name	Product Code
BRI-2MRV30Q	306-323-50
4BRI-8MRV30Q	306-322-50

For more details, go to www.dialogic.com

Dialogic Corporation
9800 Cavendish Blvd., 5th floor
Montreal, Quebec
CANADA H4M 2V9

© 2007 Dialogic Corporation. All rights reserved. Dialogic, Diva, and SIPcontrol are either registered trademarks or trademarks of Dialogic Corporation or its subsidiaries ("Dialogic"). Dialogic's trademarks may be used publicly only with permission from Dialogic. Such permission may only be granted by Dialogic's legal department at the address provided above. The names of actual companies and products mentioned herein are the trademarks of their respective owners.

Dialogic encourages all users of its products to procure all necessary intellectual property licenses required to implement their concepts or applications, which licenses may vary from country to country. None of the information provided in this product brief other than what is listed under the section entitled Technical Specifications forms part of the specifications of the product and any benefits specified are not guaranteed. No licenses or warranties of any kind are provided under this product brief.

Dialogic may make changes to specifications, product descriptions, and plans at any time, without notice.

10424-01 5/07