



Dialogic® IP Gateway (Global Call)

Demo Guide

May 2008

Copyright © 2003-2008 Dialogic Corporation. All rights reserved. You may not reproduce this document in whole or in part without permission in writing from Dialogic Corporation.

All contents of this document are furnished for informational use only and are subject to change without notice and do not represent a commitment on the part of Dialogic Corporation or its subsidiaries ("Dialogic"). Reasonable effort is made to ensure the accuracy of the information contained in the document. However, Dialogic does not warrant the accuracy of this information and cannot accept responsibility for errors, inaccuracies or omissions that may be contained in this document.

INFORMATION IN THIS DOCUMENT IS PROVIDED IN CONNECTION WITH DIALOGIC® PRODUCTS. NO LICENSE, EXPRESS OR IMPLIED, BY ESTOPPEL OR OTHERWISE, TO ANY INTELLECTUAL PROPERTY RIGHTS IS GRANTED BY THIS DOCUMENT. EXCEPT AS PROVIDED IN A SIGNED AGREEMENT BETWEEN YOU AND DIALOGIC, DIALOGIC ASSUMES NO LIABILITY WHATSOEVER, AND DIALOGIC DISCLAIMS ANY EXPRESS OR IMPLIED WARRANTY, RELATING TO SALE AND/OR USE OF DIALOGIC PRODUCTS INCLUDING LIABILITY OR WARRANTIES RELATING TO FITNESS FOR A PARTICULAR PURPOSE, MERCHANTABILITY, OR INFRINGEMENT OF ANY INTELLECTUAL PROPERTY RIGHT OF A THIRD PARTY.

Dialogic products are not intended for use in medical, life saving, life sustaining, critical control or safety systems, or in nuclear facility applications.

It is possible that the use or implementation of any one of the concepts, applications, or ideas described in this document, in marketing collateral produced by or on web pages maintained by Dialogic may infringe one or more patents or other intellectual property rights owned by third parties. Dialogic does not provide any intellectual property licenses with the sale of Dialogic products other than a license to use such product in accordance with intellectual property owned or validly licensed by Dialogic and no such licenses are provided except pursuant to a signed agreement with Dialogic. More detailed information about such intellectual property is available from Dialogic's legal department at 9800 Cavendish Blvd., 5th Floor, Montreal, Quebec, Canada H4M 2V9. **Dialogic encourages all users of its products to procure all necessary intellectual property licenses required to implement any concepts or applications and does not condone or encourage any intellectual property infringement and disclaims any responsibility related thereto. These intellectual property licenses may differ from country to country and it is the responsibility of those who develop the concepts or applications to be aware of and comply with different national license requirements.**

Dialogic, Dialogic Pro, Brooktrout, Cantata, SnowShore, Eicon, Eicon Networks, Eiconcard, Diva, SIPcontrol, Diva ISDN, TruFax, Realbloccs, Realcomm 100, NetAccess, Instant ISDN, TRXStream, Exnet, Exnet Connect, EXS, ExchangePlus VSE, Switchkit, N20, Powering The Service-Ready Network, Vantage, Connecting People to Information, Connecting to Growth, Making Innovation Thrive, and Shiva, among others as well as related logos, are either registered trademarks or trademarks of Dialogic. Dialogic's trademarks may be used publicly only with permission from Dialogic. Such permission may only be granted by Dialogic's legal department at 9800 Cavendish Blvd., 5th Floor, Montreal, Quebec, Canada H4M 2V9. Any authorized use of Dialogic's trademarks will be subject to full respect of the trademark guidelines published by Dialogic from time to time and any use of Dialogic's trademarks requires proper acknowledgement. Developer Studio, Microsoft, Visual C++, and Windows are registered trademarks of Microsoft Corporation in the United States and/or other countries. Other names of actual companies and products mentioned herein are the trademarks of their respective owners.

Publication Date: May 2008

Document Number: 05-2490-002

Contents

	Revision History	8
	About This Publication	9
	Purpose	9
	Applicability	9
	Intended Audience	9
	How to Use This Publication	10
	Related Information	10
1	Demo Description	11
2	System Requirements	13
	2.1 Hardware Requirements	13
	2.2 Software Requirements	13
3	Preparing to Run the Demo	15
	3.1 Connecting to External Equipment	15
	3.2 Editing Configuration Files	15
	3.2.1 File Location	16
	3.2.2 Editing the gateway.cfg Configuration File	16
	3.3 Compiling and Linking	19
	3.4 Configuring the Dialogic® Host Media Processing Software	20
	3.4.1 Dialogic® HMP Software Licenses	20
	3.4.2 Country Dependent Parameters	20
4	Running the Demo	21
	4.1 Starting the Demo	21
	4.2 Demo Options	21
	4.3 Using the Demo	22
	4.4 Stopping the Demo	23
5	Demo Details	25
	5.1 Files Used by the Demo	25
	5.1.1 Demo Source Code Files	25
	5.1.2 Utility Files	27
	5.1.3 PDL Files	27
	5.2 Programming Model Classes	28
	5.2.1 Class Diagram	29
	5.2.2 Channel Class	29
	5.2.3 Configuration Class	30
	5.2.4 GCCallControl Class	31
	5.2.5 GCDevice Class	31
	5.2.6 GWCall Class	32
	5.2.7 IPBoard Class	32
	5.2.8 IPCallControl Class	32
	5.2.9 IPDevice Class	33

Contents

5.2.10	PSTNBoard Class	33
5.2.11	PSTNCallControl Class	33
5.2.12	PSTNDevice Class	34
5.2.13	ResourceManager Class	34
5.2.14	R4Board Class	35
5.2.15	R4Device Class	35
5.3	Threads	36
5.4	Initialization	36
5.5	Event Handling	38
5.5.1	Event Mechanism	38
5.5.2	Handling Keyboard Input Events	38
5.5.3	Handling Dialogic® SRL Events	38
5.5.4	Handling Application Exit Events	39
6	Demo State Machines	41
6.1	GWCall State Machine - Inbound Call from IP	41
6.1.1	GWCall State Machine Description - Inbound from IP	41
6.1.2	GWCall::callNull State	42
6.1.3	GWCall::callGetIPInfo	43
6.1.4	GWCall::callIPOffered	43
6.1.5	GWCall::callIPAccepting	43
6.1.6	GWCall::callIPSTNConnected	44
6.1.7	GWCall::callConnected	44
6.1.8	GWCall::callDropping	44
6.1.9	GWCall::callReleasing	44
6.2	GWCall State Machine - Inbound Call from PSTN	45
6.2.1	GWCall State Machine Description - Inbound from PSTN	45
6.2.2	GWCall::callNull State	46
6.2.3	GWCall::callIPSTNDetected	47
6.2.4	GWCall::callIPSTNOffered	47
6.2.5	GWCall::callIPSTNAccepting	47
6.2.6	GWCall::callIPConnected	48
6.2.7	GWCall::callConnected	48
6.2.8	GWCall::callDropping	48
6.2.9	GWCall::callReleasing	49
6.3	PSTNCallControl State Machine	49
6.3.1	PSTNCallControl State Machine Description	49
6.3.2	PSTNCallControl::Null State	50
6.3.3	PSTNCallControl::Detected State	51
6.3.4	PSTNCallControl::Offered State	51
6.3.5	PSTNCallControl::Accepting State	52
6.3.6	PSTNCallControl::Answering State	52
6.3.7	PSTNCallControl::makingCall State	52
6.3.8	PSTNCallControl::Connected State	53
6.3.9	PSTNCallControl::Dropping State	53
6.3.10	PSTNCallControl::Releasing State	53
6.4	IPCallControl State Machine	53
6.4.1	IPCallControl State Machine Description	54
6.4.2	IPCallControl::Null State	55
6.4.3	IPCallControl::getCallInfo State	56

Contents

6.4.4	IPCallControl::offered State	56
6.4.5	IPCallControl::accepting State	57
6.4.6	IPCallControl::answering State	57
6.4.7	IPCallControl::makingCall State	57
6.4.8	IPCallControl::connected State	58
6.4.9	IPCallControl::dropping State	58
6.4.10	IPCallControl::dropped State	59
6.4.11	IPCallControl::releasing State	59
Glossary		61
Index		65

Figures

1	Connecting to External Equipment	15
2	Configuration File Parameters	18
3	Dialogic® IP Gateway (Global Call) Class Diagram	29
4	Dialogic IP Gateway (Global Call) Demo Threads	36
5	Dialogic® IP Gateway (Global Call) System Initialization	37
6	GWCall State Machine - Inbound Call from IP	42
7	GWCall State Machine - Inbound Call from PSTN	46
8	PSTNCallControl State Machine	50
9	IPCallControl State Machine	55

Tables

1	Command Line Switches	22
2	Runtime Keyboard Commands	23
3	Source Files Used by the Dialogic® IP Gateway (Global Call) Demo	25
4	Utility Files Used by the Dialogic® IP Gateway (Global Call) Demo	27
5	PDL Files Used by the Dialogic® IP Gateway (Global Call) Demo - Windows® OS	27
6	PDL Files Used by the Dialogic® IP Gateway (Global Call) Demo - Linux OS	28
7	Channel Class Attributes	30
8	Configuration Class Attributes	30
9	GCCallControl Class Attributes	31
10	GCDevice Class Attributes	31
11	GWCall Class Attributes	32
12	IPMediaBoard Class Attributes	32
13	IPCallControl Class Attributes	33
14	IPDevice Class Attributes	33
15	PSTNCallControl Class Attributes	33
16	PSTNDevice Class Attributes	34
17	ResourceManager Class Attributes	34
18	R4Board Class Attributes	35
19	R4Device Class Attributes	36

Revision History

This revision history summarizes the changes made in each published version of this document.

Document No.	Publication Date	Description of Revisions
05-2490-002	May 2008	Made global changes to reflect Dialogic brand and changed title to “Dialogic® IP Gateway (Global Call) Demo Guide.”
05-2490-001	December 2005	Initial version of document.

About This Publication

This section describes the purpose of the guide, the intended audience, and provides references to other information that may be useful to the user.

- [Purpose](#)
- [Applicability](#)
- [Intended Audience](#)
- [How to Use This Publication](#)
- [Related Information](#)

Purpose

This guide provides information about the Dialogic[®] IP Gateway (Global Call) demo that is available with your Dialogic[®] Host Media Processing (HMP) Software release. This guide describes the demo, its requirements, and details about how it works.

Applicability

This document version (05-2490-002) is published for Dialogic[®] Host Media Processing Software Release 3.0WIN and Dialogic[®] Host Media Processing Software Release 3.1LIN.

This document may also be applicable to later software releases (including service updates) on Linux or Windows[®]. Check the Release Guide for your software release to determine whether this document is supported.

Intended Audience

This guide is intended for application developers who choose to develop a PSTN-IP gateway application using the Dialogic[®] Global Call API. Developers should be familiar with the C++ programming language and either the Windows[®] or Linux programming environments .

This information is intended for:

- Distributors
- Toolkit Developers
- Independent Software Vendors (ISVs)
- Value Added Resellers (VARs)
- Original Equipment Manufacturers (OEMs)

How to Use This Publication

Refer to this publication after you have installed the hardware and the Dialogic[®] HMP Software.

This publication assumes that you are familiar with the Windows[®] or Linux operating system and the C++ programming language.

The information in this guide is organized as follows:

- Chapter 1, “[Demo Description](#)” introduces you to the demo and its features
- Chapter 2, “[System Requirements](#)” outlines the hardware and software required to run the demo
- Chapter 3, “[Preparing to Run the Demo](#)” describes the preparations required before running the demo
- Chapter 4, “[Running the Demo](#)” describes how to run the demo
- Chapter 5, “[Demo Details](#)” provides details on how the demo works
- Chapter 6, “[Demo State Machines](#)” provides details on the demo state machines

Related Information

See the following for additional information:

- <http://www.dialogic.com/manuals/> (for Dialogic[®] product documentation)
- <http://www.dialogic.com/support/> (for Dialogic technical support)
- <http://www.dialogic.com/> (for Dialogic[®] product information)

The Dialogic® IP Gateway (Global Call) demo is a host-based application that demonstrates using the Dialogic® Global Call API to build a PSTN-IP gateway. The demo source code can be used as sample code for those who choose to begin developing an application from a working application. The demo is not designed to implement a complete gateway and it lacks features such as least-cost routing, etc.

The Dialogic IP Gateway (Global Call) demo supports the following features:

- Accepts IP calls
- Places IP calls
- Accepts PSTN calls
- Places PSTN calls
- Configuration file for hardware and parameter settings
- Command line options for running the demo executable file
- Output log files
- Printing and output tracing to the monitor
- QoS (Quality of Service)

Demo Description

This chapter discusses the system requirements for running the Dialogic[®] IP Gateway (Global Call) demo and contains the following topics:

- [Hardware Requirements](#) 13
- [Software Requirements](#) 13

2.1 Hardware Requirements

To run the Dialogic IP Gateway (Global Call) demo, you need:

- Dialogic[®] Digital Network Interface board
- Network Interface Card (NIC)
- IP network cable

For other hardware requirements, such as memory requirements, see the *Release Guide* for the system release you are using.

Network Hardware

The following network hardware components were tested for interoperability with the Dialogic IP Gateway (Global Call) demo:

- Adtran TSU 600e multiplexer
- Polycom IP Soundpoint 300

2.2 Software Requirements

To run the Dialogic IP Gateway (Global Call) demo, you need the Dialogic[®] Host Media Processing (HMP) Software and a valid Dialogic[®] HMP Software license.

Note: A default, single port Validation license is enabled after the Dialogic[®] HMP Software is installed. This default license supports the Dialogic IP Gateway (Global Call) demo.

For a list of operating system requirements, see the *Release Guide* for the system release you are using.

See [Section 3.3, “Compiling and Linking”](#), on page 19 for a list of compilers that may be used with this demo. Using a non-supported compiler may cause problems in running the demo.

System Requirements

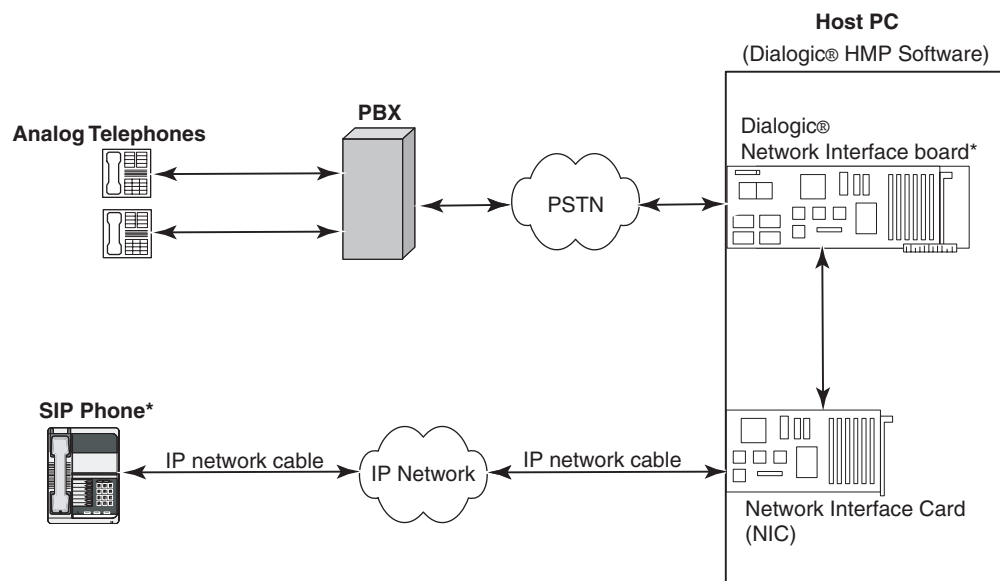
This chapter discusses the preparations necessary to run the Dialogic® IP Gateway (Global Call) demo and provides information about the following topics:

- Connecting to External Equipment 15
- Editing Configuration Files 15
- Compiling and Linking 19
- Configuring the Dialogic® Host Media Processing Software. 20

3.1 Connecting to External Equipment

The external equipment connections for the Dialogic IP Gateway (Global Call) demo are presented in Figure 1:

Figure 1. Connecting to External Equipment



* Source IP address for the Dialogic® Network Interface board and destination IP address for the SIP Phone are included in the *gateway.cfg* file.

3.2 Editing Configuration Files

This section discusses how to configure the demo for your system. It contains the following topics:

Preparing to Run the Demo

- [File Location](#)
- [Editing the gateway.cfg Configuration File](#)

3.2.1 File Location

Before running the Dialogic IP Gateway (Global Call) demo, modify the *gateway.cfg* file to reflect your system environment. Use a text editor and open the file from the following subdirectory: `\demos\gateway\release`.

3.2.2 Editing the gateway.cfg Configuration File

Below is an example of the *gateway.cfg* file. Update the following information according to your development environment:

Source

Source (originator) address

Destination

IP address of the NIC on the destination Gateway host.

RemotePhoneNumber

Destination phone number to call. It is transferred during call establishment to target gateway.

LocalPhoneNumber

The number used for PSTN calls.

pstnProtocol

The PSTN protocol supported by the gateway. Possible values are: T1, E1, ISDN (including NFAS), CAS.

Note: Certain PSTN protocols may require updates to the country dependent parameter (CDP) files included in the Global Call Protocols package. Refer to the *Dialogic® Global Call Country Dependent Parameters (CDP) for PDK Protocols Configuration Guide* for more information.

DTMFmode

Specifies how DTMF tones are transmitted. Possible values are: RTPInBand (usually used with G.711 coders), OutOfBand (usually used with low bandwidth coders, e.g., GSM), RTPRFC2833.

ipProtocol

The IP Protocol used for opening the IP line devices. Values are: H323, SIP, both.

AudioRxCodecs

Describes the receive voice coder. The parameters are as follows:

- CoderType – The type of coder. See the *Release Guide* for specific information about coder support in this release.
- CoderFramesPerPkt – Specify the number of frames per packet for the selected coder. See the *Release Guide* for specific information about coder support in this release.
- CoderVAD – Specify if VAD is active. See the *Release Guide* for specific information about coder support in this release.

AudioTxCodecs

Describes the transmit voice coder. See [AudioRxCodecs](#) for a description of the parameters.

Data Codecs

Describes the fax coder parameters. See [AudioRxCodecs](#) for a description of the parameters.

Quality of Service

The application can set threshold values to monitor the quality of service during calls. A fault occurs when the result of a measurement of a QoS parameter crossed a predefined threshold. A success occurs when the result of a measurement of a QoS parameter did not cross a predefined threshold. The QoS parameters are measured during time intervals, starting when a call is established. The following parameters are supported:

- **MediaAlarmLostPackets** – indicates that the percentage of packets lost during a call exceeded its threshold value
- **MediaAlarmJitter** – indicates that the jitter (as defined in RFC 1889) exceeded its threshold value

QoS Attributes

Each parameter has six attributes:

- **Threshold** – defines when a QoS parameter is in a fault condition. A fault occurs when the result of a measurement of a QoS parameter crossed the Threshold value.
- **DebounceOn** – the time during which faults are measured (in msec., must be multiple of Interval)
- **DebounceOff** – the time during which successes are measured (in msec., must be multiple of Interval)
- **Interval** – the amount of time between two QoS parameter measurements (in multiples of 100 msec)
- **PercentFail** – the threshold of failures during the DebounceOn time (expressed as a percentage of failures)
- **PercentSuccess** – the threshold of successes during the DebounceOn time (expressed as a percentage of successes)

The default values are as follows:

	Threshold	DebounceOn	DebounceOff	Interval	Percent_Fail	Percent_Success
Lost packets	20	10000	10000	1000	60	40
Jitter	60	20000	60000	5000	60	40

Display

Display information passed to destination gateway during call establishment

IPT_UUI

User to User Information string. The information is sent before the Connected state.

UII

User Input Indication string to send. The maximum string length is 256 characters (MAX_STRING).

NonStdParm

Non-standard parameter data to send

NonStdCmd

Non-standard command string to send. The maximum string length is 256 characters (MAX_STRING).

ObjId

Object ID

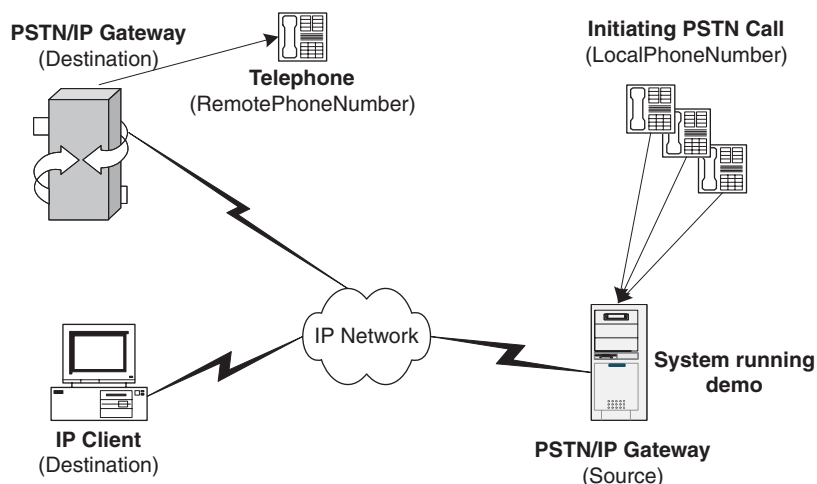
Preparing to Run the Demo

Q931Facility

Facility data to send on the Q.931 channel. The maximum string length is 256 characters (MAX_STRING).

Figure 2 illustrates how the configuration file parameters relate to the individual network components.

Figure 2. Configuration File Parameters



Sample Configuration File

Note: The sample *gateway.cfg* file shown below coincides with the hardware setup shown in Figure 1, “Connecting to External Equipment”, on page 15. The source and destination IP addresses for your development environment will differ from those shown in the example below.

```
#####
# Copyright © 2005, Dialogic Corporation.
# All rights reserved All names, products, and services mentioned
# herein are the trademarks or registered trademarks of their respective
# organizations and are the sole property of their respective owners
#####

#####
# Source - IP Address of the HMP System, of the format xxx.xxx.xxx.xx
# Destination - IP Address of the IP Endpoint, of the format xxx.xxx.xxx.xx
# ipProtocol - Type of Protocol to be used in the call, can be SIP or H323
# DTMFmode - Type of digit transfer mode, can be inBand, rfc2833, outofband
#####

Channel = 1-120
{
    Source = 196.112.106.139
    Destination = 196.112.107.111
    RemotePhoneNumber = 1
    LocalPhoneNumber = 1
    pstnProtocol = cas
    DTMFmode = inBand
    ipProtocol = SIP
}
```

```

AudioRxCoders
{
  CoderType = g711mulaw
  CoderFramesPerPkt = 30
  CoderVAD = 0
}

AudioTxCodecs
{
  CoderType = g711mulaw
  CoderFramesPerPkt = 30
  CoderVAD = 0
}

DataCodecs
{
  CoderType = t38
}

MediaAlarmLostPackets
{
  Threshold          = 20      # Threshold value
  DebounceOn         = 10000   # Threshold debounce ON
  DebounceOff        = 10000   # Threshold debounce OFF
  Interval            = 1000    # Threshold Time Interval (ms)
  PercentSuccess     = 60      # Threshold Success Percent
  PercentFail        = 40      # Threshold Fail Percent
}

MediaAlarmJitter
{
  Threshold          = 60      # Threshold value
  DebounceOn         = 20000   # Threshold debounce ON
  DebounceOff        = 60000   # Threshold debounce OFF
  Interval            = 5000    # Threshold Time Interval (ms)
  PercentSuccess     = 60      # Threshold Success Percent
  PercentFail        = 40      # Threshold Fail Percent
}

Display = GATEWAY_Chan1
IPT_UII = User_to_User_1
UII = 12345
NonStdParm = NSP_Chan1
NonStdCmd = NSC_Chan1
ObjId = 2 16 840 1 113741
Q931Facility = facility 01
}

```

3.3 Compiling and Linking

Compile the project within the following environments:

- Windows[®]
 - Microsoft[®] Visual C++[®] environment, version 6
- Linux
 - g++

If you have added or changed files, put the files in the `\demos\gateway` subdirectory to compile the project.

Preparing to Run the Demo

Set gateway_ood as the active project and build in debug or release mode.

3.4 Configuring the Dialogic® Host Media Processing Software

This section discusses how to configure the Dialogic® Host Media Processing (HMP) Software, and contains the following topics:

- [Dialogic® HMP Software Licenses](#)
- [Country Dependent Parameters](#)

3.4.1 Dialogic® HMP Software Licenses

A Dialogic® HMP Software license is a file containing authorizations for a combination of call control and media processing channels. After you have installed the Dialogic® HMP Software on the host PC, the Verification license is activated by default. This license is required to run the Dialogic IP Gateway (Global Call) demo. Refer to the *Dialogic® Host Media Processing Software Installation Guide* and *Dialogic® Host Media Processing Software Administration Guide* for more information about Dialogic® HMP Software licenses.

3.4.2 Country Dependent Parameters

If you are using a PSTN trunk in your development environment that is configured to use Analog, E1 CAS, or T1 robbed bit technologies, you will need to ensure protocol compatibility between the PSTN trunk and the Dialogic® HMP Software . Protocol compatibility may require that you create a *pdk.cfg* file and edit the appropriate country dependent parameter (**.cdp*) file. Refer to the *Dialogic® Global Call Country Dependent Parameters (CDP) for PDK Protocols Configuration Guide* for more information.

Note: *pdk.cfg* and **.cdp* files do not apply to systems that use ISDN protocols.

This chapter describes how to run the Dialogic® IP Gateway (Global Call) demo and contains the following topics:

- Starting the Demo 21
- Demo Options 21
- Using the Demo 22
- Stopping the Demo 23

4.1 Starting the Demo

Windows®

Select Run from the Start Menu. The demo executable file can be found in the following subdirectory: `\demos\gateway\release\gateway.exe`. Click OK to run the Dialogic IP Gateway (Global Call) demo using the default settings.

Linux

The demo executable file can be found in:
`/usr/dialogic/demos/ipt/gc_demos/gateway_r4_ood/gateway_r4_ood.`

4.2 Demo Options

To specify certain options at run-time, launch the demo from a command line, using any of the switches listed in Table 1.

Running the Demo

Table 1. Command Line Switches

Switch	Action	Default
-c <filename>	Configuration file name	-c gateway_r4.cfg
-d<n>	Sets Debug Level (0-4): <ul style="list-style-type: none">• 0-FATAL – used when one or more channels are deadlocked.• 1-ERROR – used when the application receives a failure which doesn't cause the channel to be deadlocked.• 2-WARNING – used when some problem or failure occurred without affecting the channel's usual action.• 3-TRACE – used at the start of the application entrance or the start of any function.• 4-INFO – prints data related to a specific action. Note: Debug level is inclusive; higher levels include all lower levels	-d0 (Fatal)
-h or ?	Prints the command syntax to the screen	Off
-l<n,...>	Printouts will be printed into channel log files. If 'all' follows the -l, log files will be created for all available channels. If a list of channels in the following format: C1-C2, C3-C4, C5 follows the -l, log files are created for the channel ranges or specific channels specified in the list. If the "-l" option is not used, prints go to the stdout, for the first 2 channels only (to keep from overloading the CPU, and more convenient for viewing printouts).	Disabled
-m<n,...>	Enables printing channel information to the monitor, in addition to printing to the log file. A maximum of 2 channels may be printed.	Disabled
-n<n>	Sets the number of gateway channels	The lesser of Voice Devices or IP devices
-q	Activates Quality of Service	Disabled

4.3 Using the Demo

The demo waits for input from the keyboard. While the demo is running, you may enter any of the commands listed in Table 2:

Table 2. Runtime Keyboard Commands

Command	Function
c or C	Prints channel statistics to file (statistics.log)
d<n> or D<n>	Change debug level during runtime, where <n> is the debug level
f or F followed by <channel number>	Send Q.931 facility message from the .cfg file
m or M followed by <channel number>	Print log files for up to 2 channels to the screen
n or N followed by <channel number>	Send H.245 non-standard command from the .cfg file
q or Q or Ctrl+c	Terminates the application
u or U followed by <channel number>	Send H.245 User Input Indication message from the .cfg file

4.4 Stopping the Demo

The Dialogic IP Gateway (Global Call) demo runs until it is terminated. Press “q” or “Q” or “Ctrl+c” to terminate the demo application.

Running the Demo

This chapter discusses the Dialogic® IP Gateway (Global Call) demo in more detail and contains the following topics:

- Files Used by the Demo. 25
- Programming Model Classes. 28
- Threads 36
- Initialization. 36
- Event Handling 38

5.1 Files Used by the Demo

This section lists the files used by the demo. It contains the following information:

- Demo Source Code Files
- Utility Files
- PDL Files

5.1.1 Demo Source Code Files

In Windows®, The source code files listed in Table 3 are located in:
\demos\gateway\release.

In Linux, the source code files listed in Table 3 are located in:
/usr/dialogic/demos/ipt/gc_demos/gateway_r4_ood/.

Table 3. Source Files Used by the Dialogic® IP Gateway (Global Call) Demo

Directory	File Name	Purpose
gateway_ood	channel.cpp	Implements the operations of the Channel class
gateway_ood	channel.h	Function prototype for channel.cpp
gateway_ood	configuration.cpp	Implements the operations of the Configuration class
gateway_ood	configuration.h	Function prototype for configuration.cpp
gateway_ood	defs.h	Global definitions
gateway_ood	gateway_r4_ood.ver	Demo version information
gateway_ood	gccallcontrol.cpp	Implements the operations of the GCCallControl class
gateway_ood	gccallcontrol.h	Function prototype for gccallcontrol.cpp
gateway_ood	gcdevice.cpp	Implements the operations of the GCDevice class
gateway_ood	gcdevice.h	Function prototype for gcdevice.cpp

Table 3. Source Files Used by the Dialogic® IP Gateway (Global Call) Demo (Continued)

Directory	File Name	Purpose
gateway_ood	gwcalls.cpp	Implements the operations of the GWCall class
gateway_ood	gwcalls.h	Function prototype for gwcalls.cpp
gateway_ood	incfile.h	Function prototype for Global Call and R4 functions
gateway_ood	ipboard.cpp	Implements the operations of the IPBoard class
gateway_ood	ipboard.h	Function prototype for ipboard.cpp
gateway_ood	ipcallcontrol.cpp	Implements the operations of the IPCallControl class
gateway_ood	ipcallcontrol.h	Function prototype for ipcallcontrol.cpp
gateway_ood	ipdevice.cpp	Implements the operations of the IPDevice class
gateway_ood	ipdevice.h	Function prototype for ipdevice.cpp
gateway_ood	main.cpp	Contains the main function and the Wait for Key
gateway_ood	main.h	Function prototype for main.cpp
gateway_ood	pstnboard.cpp	Implements the operations of the DigitalPstnBoard class
gateway_ood	pstnboard.h	Function prototype for digitalpstnboard.cpp
gateway_ood	pstncallcontrol.cpp	Implements the operations of the PstnCallControl class
gateway_ood	pstncallcontrol.h	Function prototype for pstncallcontrol.cpp
gateway_ood	pstndevice.cpp	Implements the operations of the DigitalPstnDevice class
gateway_ood	pstndevice.h	Function prototype for digitalpstndevice.cpp
gateway_ood	r4board.cpp	Implements the operations of the R4Board class
gateway_ood	r4board.h	Function prototype for r4logicalboard.cpp
gateway_ood	r4device.cpp	Implements the operations of the R4Device class
gateway_ood	r4device.h	Function prototype for r4device.cpp
gateway_ood	resourcemanager.cpp	Implements the operations of the ResourceManager class
gateway_ood	resourcemanager.h	Function prototype for resourcemanager.cpp
gateway_ood (Linux only)	gateway.cfg	Demo configuration file
gateway_ood (Linux only)	makefile	Linux compilation file
gateway_ood (Linux only)	gateway_ood	Linux executable
gateway_ood (Windows® only)	gateway_ood.dsp	Microsoft® Visual C++® project file
gateway_ood (Windows® only)	gateway_ood.dsw	Microsoft® Visual C++® project workspace
gateway_ood (Windows® only)	gateway_ood.rc	Resource file
gateway_ood (Windows® only)	resource.h	Microsoft® Developer Studio® generated include file used by gateway_r4_ood.rc

Table 3. Source Files Used by the Dialogic® IP Gateway (Global Call) Demo (Continued)

Directory	File Name	Purpose
gateway_ood/release (Windows® only)	gateway.cfg	Demo configuration file
gateway_ood/release (Windows® only)	gateway_ood.exe	Demo executable

5.1.2 Utility Files

In Windows®, the utility files listed in Table 4 are located in the following subdirectory:
\demos\shared\utilcpp.

In Linux, the utility files listed in Table 4 are located in:
/usr/dialogic/demos/ipt/gc_demos/utilcpp/.

Table 4. Utility Files Used by the Dialogic® IP Gateway (Global Call) Demo

Directory	File Name	Purpose
utilcpp	utilcpp.ver	Utility library version information
utilcpp	log.cpp	Debugging functions
utilcpp	log.h	Function prototype for libdbg.c
utilcpp (Windows® only)	utilcpp.dsw	Utility library Microsoft® Visual C++® workspace
utilcpp (Windows® only)	utilcpp.dsp	Utility library Microsoft® Visual C++® project file
utilcpp\release (Windows® only)	utilcpp.lib	Compiled Utility library
/utilcpp (Linux only)	makefile.utilcpp	Compilation file
/utilcpp (Linux only)	libutilcpp.a	Compiled Utility library

5.1.3 PDL Files

In Windows®, the PDL files listed in Table 5 are located in the following subdirectory:
\demos\shared\pdl_win.

In Linux, the PDL files listed in Table 6 are located in:
/usr/dialogic/demos/ipt/gc_demos/utilcpp/pdl_linux/.

Table 5. PDL Files Used by the Dialogic® IP Gateway (Global Call) Demo - Windows® OS

Directory	File Name	Purpose
pdl_win	iptransport.cpp	PDL IP transport functions
pdl_win	iptransport.h	Function prototype for iptransport.cpp
pdl_win	pdl.c	Platform dependency functions

Table 5. PDL Files Used by the Dialogic® IP Gateway (Global Call) Demo - Windows® OS

Directory	File Name	Purpose
pdI_win	pdI.h	Function prototype for pdI.c
pdI_win	pdI.ver	PDL version information
pdI_win	pdI_win.dsp	PDL Visual C project file
pdI_win	pdI_win.dsw	PDL Visual C workspace
pdI_win\release	pdI_win.lib	Compiled PDL library

Table 6. PDL Files Used by the Dialogic® IP Gateway (Global Call) Demo - Linux OS

Directory	File Name	Purpose
pdI_linux	iptransport.cpp	PDL IP transport functions
pdI_linux	iptransport.h	Function prototype for iptransport.cpp
pdI_linux	libpdI.a	Compiled PDL library
pdI_linux	makefile.pdl	Compilation file
pdI_linux	pdI.c	Platform dependency functions
pdI_linux	pdI.h	Function prototype for pdI.c
pdI_linux	pdI.ver	PDL version information

5.2 Programming Model Classes

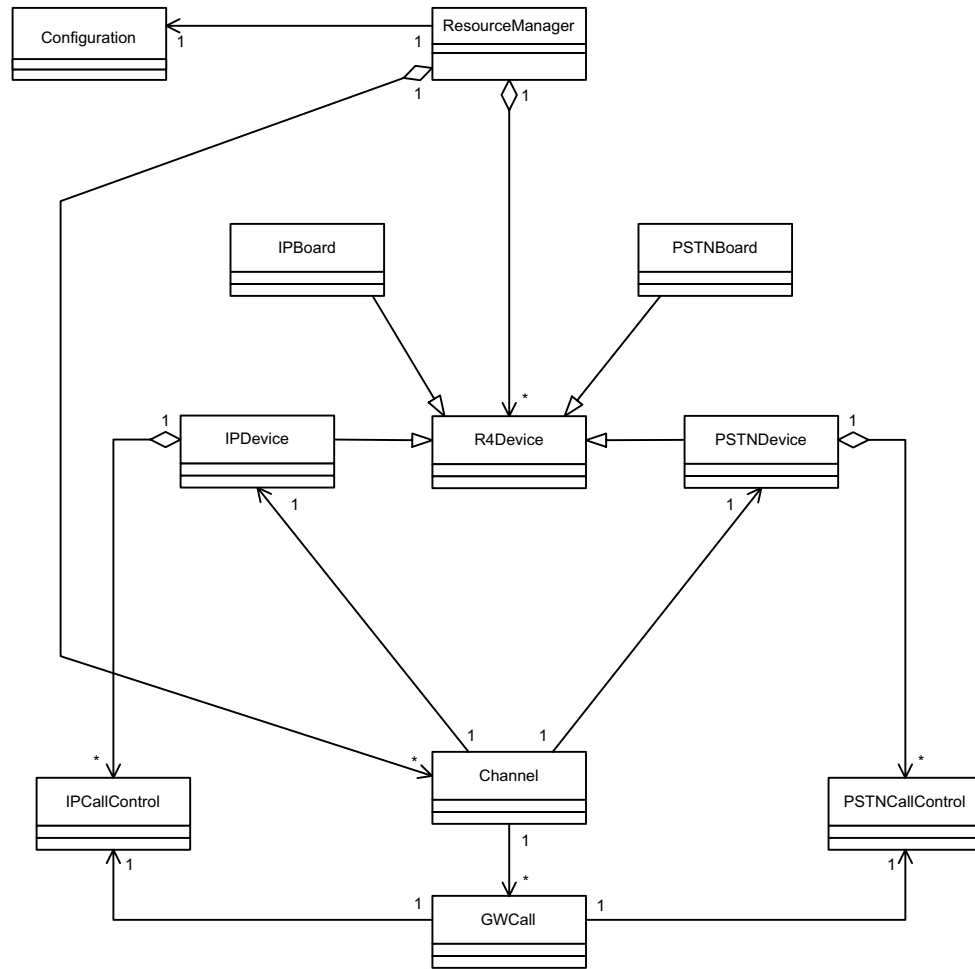
This section presents basic information about the Dialogic IP Gateway (Global Call) demo classes. It contains the following information:

- [Class Diagram](#)
- [Channel Class](#)
- [Configuration Class](#)
- [GCCallControl Class](#)
- [GCDevice Class](#)
- [GWCall Class](#)
- [IPBoard Class](#)
- [IPCallControl Class](#)
- [IPDevice Class](#)
- [PSTNBoard Class](#)
- [PSTNCallControl Class](#)
- [PSTNDevice Class](#)
- [ResourceManager Class](#)
- [R4Board Class](#)
- [R4Device Class](#)

5.2.1 Class Diagram

The following class diagram describes the relationship among the classes.

Figure 3. Dialogic® IP Gateway (Global Call) Class Diagram



5.2.2 Channel Class

The Channel class controls the devices related to a call. It contains one IP device, one Public Switched Telephone Network (PSTN) device and the calls related to these devices.

The Channel class attributes are described in Table 7.

Table 7. Channel Class Attributes

Name	Access Privilege	Type	Description
m_pIPMediaDevice	private	IPDevice	The channel IP device
m_pPSTNDevice	private	IPSTNDevice	The channel PSTN device
m_channellInfo	private	ChannellInfo	Configuration information about the channel
m_pLog	private	Log*	The channel log object
m_staticsInfo	private	ChannelStatistics	Channel statistical information
m_channelId	private	unsigned int	The channel identifier
m_GWCalls	private	GWCALL_LIST	List of the calls initiated on the channel

5.2.3 Configuration Class

The Configuration class provides an interface to acquire the needed configuration data. It contains the needed data structures to parse and save the system configuration (the configuration file and the command line options) and reflects the system configuration to the other classes.

The Configuration class attributes are described in Table 8.

Table 8. Configuration Class Attributes

Name	Access Privilege	Type	Description
m_userChannels	private	unsigned int	Indicates the number of channels that the demo will work with.
m_chanInfo	private	ChannellInfoQueue	Queue that contains all the channel information read from the configuration file, such as Tx coder information, the print to log file flag, and the phone number to call.
m_boardInfo	private	BoardInfoQueue	Queue that contains all the board information read from the configuration file.
m_cfgFile	private	char	The configuration file name
m_alarmQoSFile	private	FILE	Points to the QoS file
m_QoSFile	private	char	The name of the QoS log file
m_logLevel	private	E_LogLevel	The log level from the command line
m_stage	private	unsigned char	The stage of parsing the configuration file
m_line	private	int	The line in the configuration file currently being parsed

Table 8. Configuration Class Attributes (Continued)

Name	Access Privilege	Type	Description
m_firstSession	private	long	Used to fill the channel information from the configuration file
m_lastSession	private	long	Used to fill the channel information from the configuration file

5.2.4 GCCallControl Class

The GCCallControl class provides the common functionality of GC call control devices. It is the base class for the GC call control devices and contains the common attributes and operations.

The GCCallControl class attributes are described in Table 9.

Table 9. GCCallControl Class Attributes

Name	Access Privilege	Type	Description
m_crn	protected	CRN	The call reference number of the PSTN call control object
m_pLog	protected	Log	The log object used to control the CC object printouts
m_stateFunctionArray	protected	StateFunction[MAX_STATE]	State machine function array
m_lineDevice	protected	LINEDEV	The line device of the device that the call control belongs to
m_currentState	protected	E_StateMachine	The current state in the state machine
m_dnisEnabled	public	static bool	True if DNIS is used

5.2.5 GCDevice Class

The GCDevice class provides the common functionality of the R4 signaling devices. It is the base class for R4 signaling devices.

The GCDevice inherits the [R4Device Class](#) attributes. The GCDevice class attributes are described in Table 10.

Table 10. GCDevice Class Attributes

Name	Access Privilege	Type	Description
m_pChannel	protected	Channel	Points to the channel containing this device
m_txTimeSlot	protected	unsigned int	The transmit time slot of the device

5.2.6 GWCall Class

The GWCall class controls the resources related to a call. It contains the resources needed to establish a call. The GWCall class reflects the intersection of call resource status.

The GWCall class attributes are described in Table 11.

Table 11. GWCall Class Attributes

Name	Access Privilege	Type	Description
m_pPSTNCallControl	public	PSTNCallControl	PSTN call control object of the call, handling the PSTN call control
m_pIPCallControl	public	IPCallControl	IP call control object of the call, handling the IP call control
m_currentState	private	E_StateMachine	Current channel state
m_stateFunctionArray[M AX_STATE]	private	int(stateFunction*)(const long eventType, METAEVENT* eventData)	Array of state machine functions
m_pLog	public	Log	Log object of the call

5.2.7 IPBoard Class

The IPBoard class manages the IP device database. It contains the IP devices available in the system and reflects the IP device repository.

The IPBoard inherits the [R4Board Class](#) attributes. The IPBoard class attributes are described in Table 12.

Table 12. IPMediaBoard Class Attributes

Name	Access Privilege	Type	Description
m_rasInfo	private	RASInfo	Includes the information for RAS, read from the configuration file during initialization

5.2.8 IPCallControl Class

The IPCallControl class provides the IP protocol functionality interface. It controls one IP call and reflects the call status to the other classes.

The IPCallControl inherits the [GCCallControl Class](#) attributes. The IPCallControl attributes are described in Table 13.

Table 13. IPControl Class Attributes

Name	Access Privilege	Type	Description
m_callInfo	private	IPCallInfo	Information connected to the IP call

5.2.9 IPDevice Class

The IPDevice class provides Global Call functionality for IP devices. It represents the IP devices and reflects the device status and manages all calls related to it.

The IPDevice inherits the GCDevice class attributes. The IPDevice class attributes are described in Table 14.

Table 14. IPDevice Class Attributes

Name	Access Privilege	Type	Description
m_callControls	private	IPControl{MAX_C ALL_CONTROLS}	Contains the call control objects connected to this device

5.2.10 PSTNBoard Class

The PSTNBoard class provides the common functionality of all R4 PSTN boards. The PSTNBoard class is the base class for the PSTN boards, containing the common attributes and operations.

The PSTNBoard inherits its attributes from the [R4Board Class](#).

5.2.11 PSTNCallControl Class

The PSTNCallControl class provides a Global Call functionality interface to manage a call. It reflects the PSTN call status to the other classes.

The PSTNCallControl inherits the [GCCallControl Class](#) attributes. The PSTNCallControl attributes are described in Table 15.

Table 15. PSTNCallControl Class Attributes

Name	Access Privilege	Type	Description
m_callInfo	private	PSTNCallInfo	Contains information connected to the PSTN call

5.2.12 PSTNDevice Class

The PSTNDevice class provides the common functionality of the R4 devices. It is the base class for PSTN R4 devices.

The PSTNDevice inherits the [GCDevice Class](#) attributes. The PSTNDeviceclass attributes are described in Table 16.

Table 16. PSTNDevice Class Attributes

Name	Access Privilege	Type	Description
m_callControls	private	PSTNCallControl[MAX_CALL_CONTROLS]	Contains the call control objects connected to this device

5.2.13 ResourceManager Class

The ResourceManager class initializes the R4 resources. It handles the R4 mechanism and reflects the resource status. It contains the following data:

- all system channels
- configuration object for initialization
- maps R4 device handles to channels
- all detected R4 boards

The ResourceManager class attributes are described in Table 17.

Table 17. ResourceManager Class Attributes

Name	Access Privilege	Type	Description
m_devicesQueue	private	R4DeviceQueue [MAX_DEVICE_TYP E]	Array of device pointer queues. The array index is defined as board type (IP, PSTN). It includes all the devices in the system.
m_channelsQueue	private	ChannelQueue	A queue of all the channels created in the system.
configuration	private	Configuration	An instance of the Configuration class used to determine the configuration of the system during initialization.
m_channelNum	private	int	The number of channels that the demo will work with (this number is the minimum of devices of each type and the user requested -n option).
m_printToMonitor	private	Int[MAX_PRINT_TO_ MONITOR]	The channels that are printing to the monitor

Table 17. ResourceManager Class Attributes (Continued)

Name	Access Privilege	Type	Description
m_numOfPSTNBoards	private	int	The number of PSTN boards detected in the system.
m_numOfIPBoards	private	int	The number of IP boards detected in the system.
m_initLog	private	static Log	A log instance used during initialization. All the printouts are sent to the monitor, after which the instance is destroyed. This instance is necessary because during the initialization, there are no channel instances and therefore no log instances. In order to see logs during initialization, the application creates a global log instance for all the devices during initialization and kills it after creating the channel objects and attributing the devices to channels.

5.2.14 R4Board Class

The R4Board class provides the common functionality for the R4 logical boards. It opens the boards and obtains the information about the devices. The R4BoardClass is the base class for the R4 logical boards containing the common attributes and operations. It represents any R4 logical board.

The R4Board class attributes are described in Table 18.

Table 18. R4Board Class Attributes

Name	Access Privilege	Type	Description
m_boardNumber	protected	int	The board number - used in setting the device names found on the board
m_numOfDevices	protected	int	Number of devices available on the board

5.2.15 R4Device Class

The R4Device class provides the common functionality for the R4 devices. It is the base class for the R4 line devices that can be opened using `gc_OpenEx()`. It contains the common attributes and operations for the R4 devices.

The R4Device class attributes are described in Table 19.

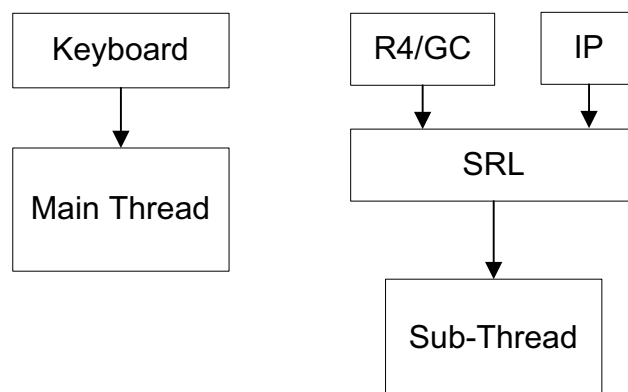
Table 19. R4Device Class Attributes

Name	Access Privilege	Type	Description
m_name	protected	char	The device name, e.g. ipmB1C1
m_inService	protecte	bool	True when the device is available
m_lineDevice	protected	LINEDEV	The device handle (valid after opening)
m_pLog	protected	Log	The device log instance

5.3 Threads

The Dialogic IP Gateway (Global Call) demo operates with two threads, as shown in Figure 4.

Figure 4. Dialogic IP Gateway (Global Call) Demo Threads



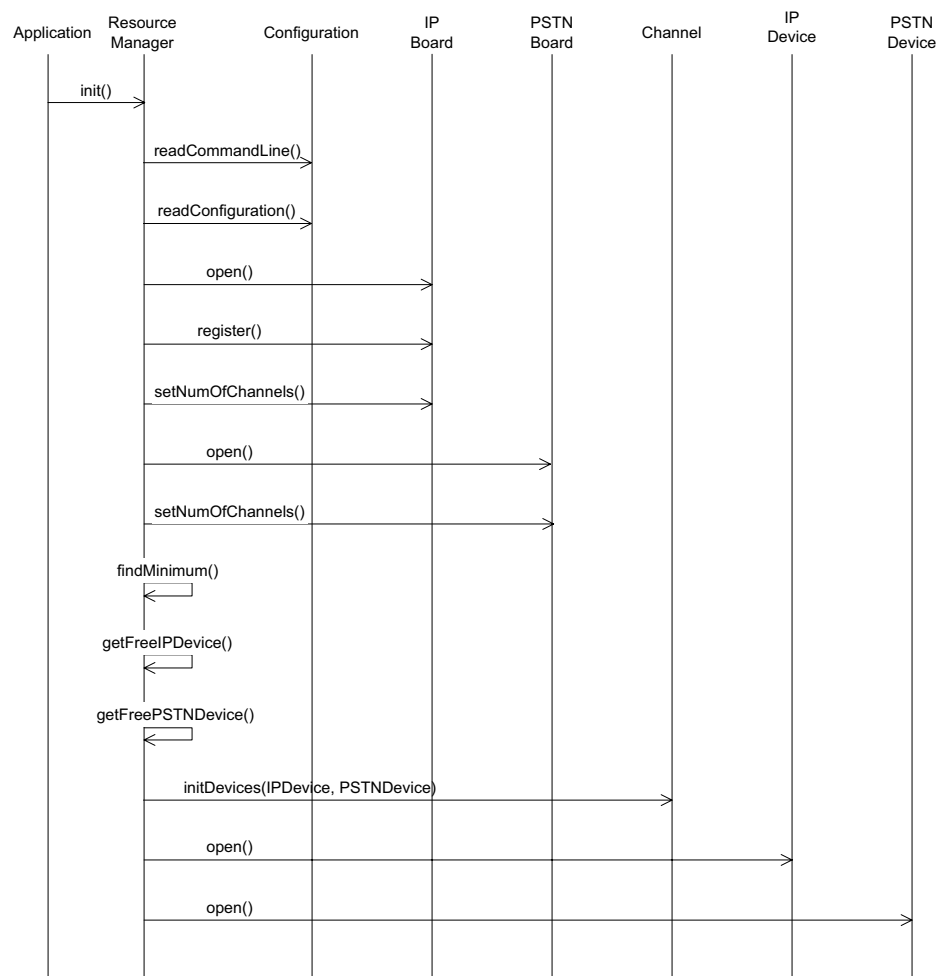
The threads are created as follows:

- The first (main) thread is created by the demo application to get the keyboard input.
- In Windows®, the second thread is a Dialogic® Standard Runtime Library (SRL) thread, created as a result of the demo application calling `sr_enblhdr()`. In Linux, the second thread must be explicitly created. All Global Call events are received through the Dialogic® SRL.

5.4 Initialization

This section describes the demo initialization as shown in Figure 5.

Figure 5. Dialogic® IP Gateway (Global Call) System Initialization



The application **main()** function calls the **init()** function, which does the following:

1. Calls **resourceManager.configure()** to read the configuration file and command line options and prints the configuration
2. Calls **resourceManager.getChannelNum()** to get the number of channels defined by the user in the configuration file or command line -n switch.
3. Calls **gc_Start()** to open all configured, call control libraries
4. Calls **printAllLibs()** to print library status (open or failed).
5. Sets-up the callback handler, **PDLsr_enbhdr()**. The callback handler handles events that it receives from the Dialogic® SRL library. For more details see [Section 5.5.3, “Handling Dialogic® SRL Events”](#), on page 38.
6. Calls **resourceManager.init()** to get the resources available in the system:
 - a. Gets the number of IP channels in the system
 - b. Gets the number of PSTN channels in the system

Demo Details

- c. Finds the minimum between the system channels and the user request
7. Looks for a free IP device and returns a pointer to it
8. Opens the IP device and if the open succeeds returns a pointer to it
9. Looks for a free PSTN device and returns a pointer to it
10. Opens the PSTN device and if the open success returns a pointer to it
11. Initializes the devices on the channel
12. The application **main()** function calls **waitForKey()**, to receive keyboard input.

5.5 Event Handling

This section describes how the Dialogic IP Gateway (Global Call) demo handles events. It contains the following topics:

- [Event Mechanism](#)
- [Handling Keyboard Input Events](#)
- [Handling Dialogic® SRL Events](#)
- [Handling Application Exit Events](#)

5.5.1 Event Mechanism

The Dialogic IP Gateway (Global Call) demo uses the Dialogic SRL mechanism to retrieve events. When an event occurs, SRL calls event handlers automatically. All events are received by the SRL and then passed to the **callback_hdlr()** function for handling.

In the initialization phase of the demo the **init()** function sets up the call-back handler, by calling **PDLsr_enbhdr()**.

Refer to [Chapter 6, “Demo State Machines”](#) for more detailed event handling information.

5.5.2 Handling Keyboard Input Events

There is an endless loop **{while(1)}** in the **main()** function in the *Main.cpp* file. In that loop, the application waits forever for a keyboard event by calling the **waitForKey()** function. The event must be handled immediately and event-specific information should be retrieved before the next call to **waitForKey()**.

When the next event occurs or when a time-out is reached, the **waitForKey()** returns and the call-back handler function is called automatically.

5.5.3 Handling Dialogic® SRL Events

When the R4/Global Call event is received, the application performs the following:

1. Gets the event device handle, by calling **PDLsr_getevtdev()**

2. Gets the channel number related to the event, from the global array (`HandleToChannel[]`)
3. Updates the `METAEVENT` structure by calling `gc_GetMetaEvent()`
4. Gets the event type, by calling `PDLsr_getevtttype()`

5.5.4 Handling Application Exit Events

Normal application exit events don't enter the Dialogic SRL. The `main()` function calls `PDLSetApplicationExitPath()` before initialization. In Linux, this function sets the signals (`SIGINT`, `SIGTERM`, `SIGABRT`) for making the appropriate exit from the application. In Windows, this function enables the detection of `CTRL_CLOSE_EVENT` (closing the window).

Demo Details

This chapter discusses the Dialogic® IP Gateway (Global Call) demo state machines and contains the following topics:

- [GWCall State Machine - Inbound Call from IP](#) 41
- [GWCall State Machine - Inbound Call from PSTN](#) 45
- [PSTNCallControl State Machine](#)..... 49
- [IPCallControl State Machine](#)..... 53

6.1 GWCall State Machine - Inbound Call from IP

This section describes the state machine for an inbound call from the IP and contains the following topics:

- [GWCall State Machine Description - Inbound from IP](#)
- [GWCall::callNull State](#)
- [GWCall::callGetIPInfo](#)
- [GWCall::callIPOffered](#)
- [GWCall::callIPAccepting](#)
- [GWCall::callIPSTNConnected](#)
- [GWCall::callConnected](#)
- [GWCall::callDropping](#)
- [GWCall::callReleasing](#)

6.1.1 GWCall State Machine Description - Inbound from IP

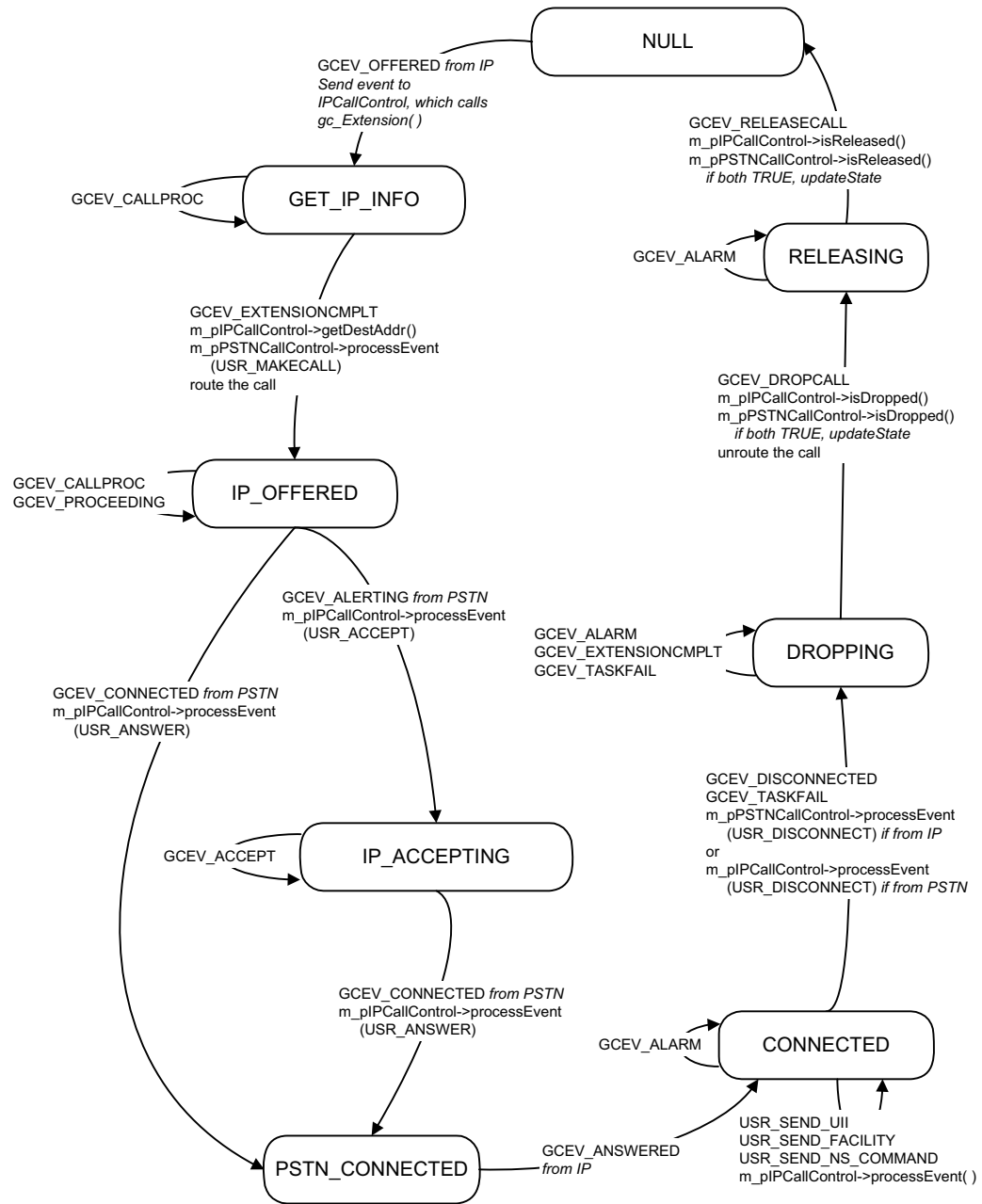
All channels are initialized to the NULL state upon application start.

As soon as an event is received, the event type, the channel number, and the reason for the event (if there is one), are analyzed and the appropriate state machine function is called.

After all the operations are performed within the channel's event state, the state machine function is updated.

The following state diagram describes the call states for the GWCall class for an inbound call from the IP.

Figure 6. GWCall State Machine - Inbound Call from IP



6.1.2 GWCall::callNull State

The application waits in the gateNull state for a GCEV_OFFERED event from the IP. Upon receipt of the event it transfers the event to the IPCallControl module which calls **getIncomingCallInfo()**,

which in turn calls **gc_Extension()**. See [Section 6.4.2, “IPCallControl::Null State”](#), on page 55 for additional information. The call state transitions to callGetIPInfo.

If the application receives a GCEV_DISCONNECTED event, it sets the drop reason by calling **getResultValue()** from the GCCallControl module. The application then calls **processEvent(USR_DISCONNECT)** from the IPCallControl module if the PSTN was the event source, or from the PSTNCallControl module if the IP was the event source. The call state transitions to callDropping.

6.1.3 **GWCall::callGetIPInfo**

The application waits for a GCEV_EXTENSIONCMPLT event. Upon receipt of the event, it calls **getDestAddr()** from the IPCallControl module and calls **processEvent(USR_MAKECALL)** from the PSTNCallControl module. See [Section 6.3, “PSTNCallControl State Machine”](#), on page 49 for a description of the PSTNCallControl state machine. The application then routes the call. The state transitions to callIPOffered.

If the application receives a GCEV_CALLPROC event, it ignores the event and remains in the callGetIPInfo state.

6.1.4 **GWCall::callIPOffered**

The application waits for either a GCEV_ALERTING or a GCEV_CONNECTED event from the PSTN.

In the case of GCEV_ALERTING, the application calls **processEvent(USR_ACCEPT)** from the IPCallControl module and the call state transitions to callIPAccepting.

In the case of GCEV_CONNECTED, the application calls **processEvent(USR_ANSWER)** from the IPCallControl module and the call state transitions to callPSTNConnected.

If the application receives a GCEV_CALLPROC or a GCEV_PROCEEDING event, it ignores the event and remains in the callGetIPOffered state.

If the application receives a GCEV_DISCONNECTED or a GCEV_TASKFAIL event, it sets the drop reason by calling **getResultValue()** from the GCCallControl module. The application then calls **processEvent(USR_DISCONNECT)** from the IPCallControl module if the PSTN was the event source, or from the PSTNCallControl module if the IP was the event source. The call state transitions to callDropping.

6.1.5 **GWCall::callIPAccepting**

The application waits for a GCEV_CONNECTED event from the PSTN. Upon receipt of the event it calls **processEvent(USR_ANSWER)** from the IPCallControl module and the call state transitions to callPSTNConnected.

If the application receives a GCEV_ACCEPT event, it ignores the event and remains in the callIPAccepting state.

Demo State Machines

If the application receives a GCEV_DISCONNECTED or a GCEV_TASKFAIL event, it sets the drop reason by calling **getResultValue()** from the GCCallControl module. The application then calls **processEvent(USR_DISCONNECT)** from the IPCallControl module if the PSTN was the event source, or from the PSTNCallControl module if the IP was the event source. The call state transitions to callDropping.

6.1.6 GWCall::callIPSTNConnected

The application waits for a GCEV_ANSWERED event from the IP. Upon receipt of the event, the call state transitions to callConnected.

If the application receives a GCEV_DISCONNECTED or a GCEV_TASKFAIL event, it sets the drop reason by calling **getResultValue()** from the GCCallControl module. The application then calls **processEvent(USR_DISCONNECT)** from the IPCallControl module if the PSTN was the event source, or from the PSTNCallControl module if the IP was the event source. The call state transitions to callDropping.

6.1.7 GWCall::callConnected

The application waits for a GCEV_DISCONNECTED or GCEV_TASKFAIL event. Upon receipt of either event, it sets the drop reason by calling **getResultValue()** from the GCCallControl module. The application then calls **processEvent(USR_DISCONNECT)** from the IPCallControl module if the PSTN was the event source, or from the PSTNCallControl module if the IP was the event source. The call state transitions to callDropping.

The caller may also use the keyboard to send a User Input Indication, Facility Message, or a Non-standard Command. The application receives the appropriate event (USR_SEND_UII, USR_SEND_FACILITY, USR_SEND_NS_COMMAND) and calls **processEvent()** from the IPCallControl module. The call state remains in the callConnected state.

6.1.8 GWCall::callDropping

The application waits for a GCEV_DROP_CALL event. Upon receipt of the event, it calls **isDropped()** from both the IPCallControl and PSTNCallControl modules. If both sides return TRUE, the call state transitions to callReleasing and the application unrouts the call.

If the application receives a GCEV_ALARM, GCEV_EXTENSIONCMPLT, or GCEV_TASKFAIL event, it ignores the event and remains in the callDropping state.

6.1.9 GWCall::callReleasing

The application waits for a GCEV_RELEASE_CALL event. Upon receipt of the event, it calls **isReleased()** from both the IPCallControl and PSTNCallControl modules. If both sides return TRUE, the call state transitions to callNull.

If the application receives a GCEV_ALARM event, it ignores the event and remains in the callReleasing state.

6.2 GWCall State Machine - Inbound Call from PSTN

This section describes the state machine for an inbound call from the Public Switched Telephone Network (PSTN) and contains the following topics:

- [GWCall State Machine Description - Inbound from PSTN](#)
- [GWCall::callNull State](#)
- [GWCall::callPSTNDetected](#)
- [GWCall::callPSTNOffered](#)
- [GWCall::callPSTNAccepting](#)
- [GWCall::callIPConnected](#)
- [GWCall::callConnected](#)
- [GWCall::callDropping](#)
- [GWCall::callReleasing](#)

6.2.1 GWCall State Machine Description - Inbound from PSTN

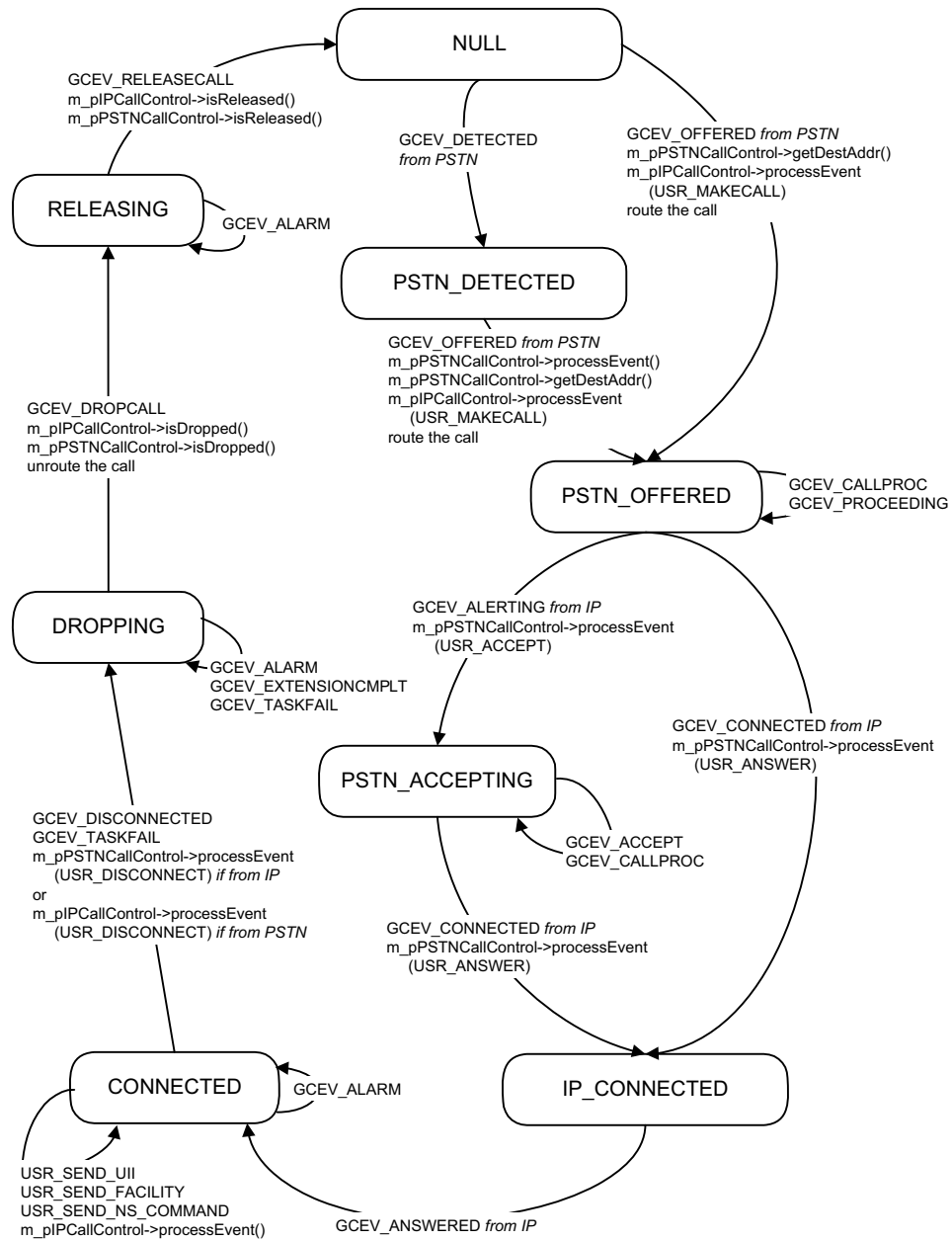
All channels are initialized to the NULL state upon application start.

As soon as an event is received, the event type, the channel number, and the reason for the event (if there is one), are analyzed and the appropriate state machine function is called.

After all the operations are performed within the channel's event state, the state machine function is updated.

The following state diagram describes the call states for the GWCall class for an inbound call from the PSTN.

Figure 7. GWCall State Machine - Inbound Call from PSTN



6.2.2 GWCALL::callNull State

The application waits in the gateNull state for an GCEV_OFFERED event from the PSTN. Upon receipt of the event, the application sets the remote phone number for making the call by calling `getDestAddr()` from the PSTNCallControl module. It then calls

processEvent(USR_MAKECALL) from the IPCallControl module. The application routes the call and the call state transitions to callPSTNOffered.

If the application receives a GCEV_DETECTED event, the call state transitions to callPSTNDetected.

If the application receives a GCEV_DISCONNECTED event, it sets the drop reason by calling **getResultValue()** from the GCCallControl module. The application then calls **processEvent(USR_DISCONNECT)** from the IPCallControl module if the PSTN was the event source, or from the PSTNCallControl module if the IP was the event source. The call state transitions to callDropping.

6.2.3 **GWCall::callPSTNDetected**

The application waits for a GCEV_OFFERED event from the PSTN. Upon receipt of the event, the application calls **processEvent()** from the PSTNCallControl module. The application then sets the remote phone number for making the call by calling **getDestAddr()** from the PSTNCallControl module. It then calls **processEvent(USR_MAKECALL)** from the IPCallControl module. The application routes the call and the call state transitions to callPSTNOffered.

6.2.4 **GWCall::callPSTNOffered**

The application waits for either a GCEV_CONNECTED or a GCEV_ALERTING event from the IP.

In the case of a GCEV_CONNECTED event, the application calls **processEvent(USR_ANSWER)** from the PSTNCallControl module and the call state transitions to callIPConnected.

In the case of a GCEV_ALERTING event, the application calls **processEvent(USR_ACCEPT)** from the PSTNCallControl module and the call state transitions to callPSTNAccepting.

If the application receives a GCEV_CALLPROC or a GCEV_PROCEEDING event, it ignores the event and remains in the callPSTNOffered state.

If the application receives a GCEV_DISCONNECTED or a GCEV_TASKFAIL event, it sets the drop reason by calling **getResultValue()** from the GCCallControl module. The application then calls **processEvent(USR_DISCONNECT)** from the IPCallControl module if the PSTN was the event source, or from the PSTNCallControl module if the IP was the event source. The call state transitions to callDropping.

6.2.5 **GWCall::callPSTNAccepting**

The application waits for a GCEV_CONNECTED event from the IP. Upon receiving the event it calls **processEvent(USR_ANSWER)** from the PSTNCallControl module and the call state transitions to callIPConnected.

Demo State Machines

If the application receives a GCEV_CALLPROC or a GCEV_ACCEPT event, it ignores the event and remains in the callPSTNAccepting state.

If the application receives a GCEV_DISCONNECTED or a GCEV_TASKFAIL event, it sets the drop reason by calling **getResultValue()** from the GCCallControl module. The application then calls **processEvent(USR_DISCONNECT)** from the IPCallControl module if the PSTN was the event source, or from the PSTNCallControl module if the IP was the event source. The call state transitions to callDropping.

6.2.6 GWCall::callIPConnected

The application waits for a GCEV_ANSWERED from the PSTN. Upon receipt of the event the call state transitions to callConnected.

If the application receives a GCEV_EXTENSION event, it ignores the event and remains in the callIPConnected state.

The caller may also use the keyboard to send a User Input Indication, Facility Message, or a Non-standard Command. The application receives the appropriate event (USR_SEND_UII, USR_SEND_FACILITY, USR_SEND_NS_COMMAND) and calls **processEvent()** from the IPCallControl module. The call state remains in the callIPConnected state.

If the application receives a GCEV_DISCONNECTED or a GCEV_TASKFAIL event, it sets the drop reason by calling **getResultValue()** from the GCCallControl module. The application then calls **processEvent(USR_DISCONNECT)** from the IPCallControl module if the PSTN was the event source, or from the PSTNCallControl module if the IP was the event source. The call state transitions to callDropping.

6.2.7 GWCall::callConnected

The application waits for a GCEV_DISCONNECTED or GCEV_TASKFAIL event. Upon receipt of either event, it sets the drop reason by calling **getResultValue()** from the GCCallControl module. The application then calls **processEvent(USR_DISCONNECT)** from the IPCallControl module if the PSTN was the event source, or from the PSTNCallControl module if the IP was the event source. The call state transitions to callDropping.

The caller may also use the keyboard to send a User Input Indication, Facility Message, or a Non-standard Command. The application receives the appropriate event (USR_SEND_UII, USR_SEND_FACILITY, USR_SEND_NS_COMMAND) and calls **processEvent()** from the IPCallControl module. The call state remains in the callConnected state.

6.2.8 GWCall::callDropping

The application waits for a GCEV_DROPALL event. Upon receipt of the event, it calls **isDropped()** from both the IPCallControl and PSTNCallControl modules. If both sides return TRUE, the call state transitions to callReleasing and the application unroutes the call.

If the application receives a GCEV_ALARM, GCEV_EXTENSIONCMPLT, or GCEV_TASKFAIL event, it ignores the event and remains in the callDropping state.

6.2.9 GWCall::callReleasing

The application waits for a GCEV_RELEASECALL event. Upon receipt of the event, it calls **isReleased()** from both the IPCallControl and PSTNCallControl modules. If both sides return TRUE, the call state transitions to callNull.

If the application receives a GCEV_ALARM event, it ignores the event and remains in the callReleasing state.

6.3 PSTNCallControl State Machine

This section describes the PSTNCallControl state machine. It contains the following topics:

- [PSTNCallControl State Machine Description](#)
- [PSTNCallControl::Null State](#)
- [PSTNCallControl::Detected State](#)
- [PSTNCallControl::Offered State](#)
- [PSTNCallControl::Accepting State](#)
- [PSTNCallControl::Answering State](#)
- [PSTNCallControl::makingCall State](#)
- [PSTNCallControl::Connected State](#)
- [PSTNCallControl::Dropping State](#)
- [PSTNCallControl::Releasing State](#)

6.3.1 PSTNCallControl State Machine Description

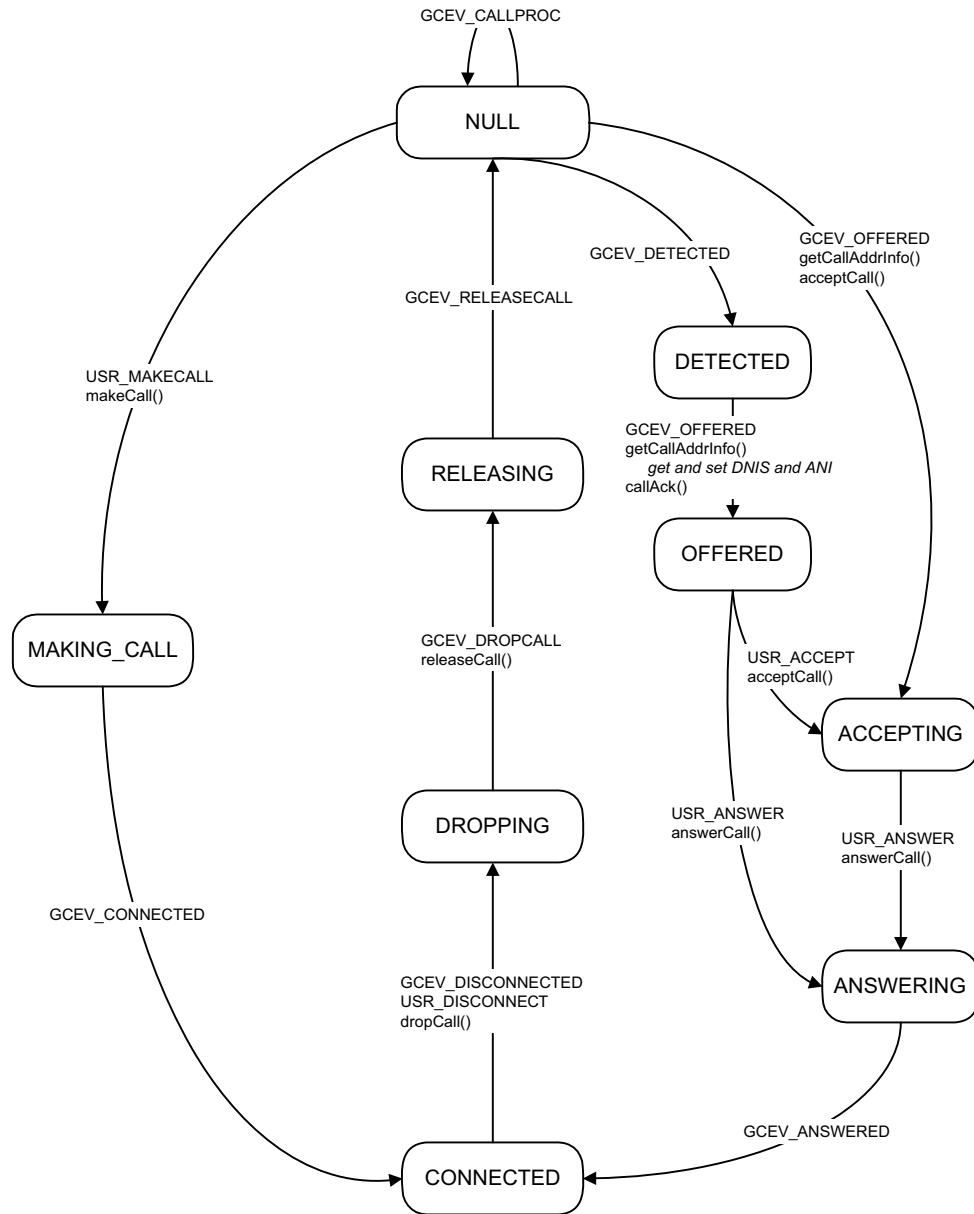
All channels are initialized to the NULL state upon application start.

As soon as an event is received, the event type, the channel number, and the reason for the event (if there is one), are analyzed and the appropriate state machine function is called.

After all the operations are performed within the channel's event state, the state machine function is updated.

The following state diagram describes the call states for the PSTNCallControl class.

Figure 8. PSTNCallControl State Machine



6.3.2 PSTNCallControl::Null State

The application waits for a GCEV_DETECTED, GCEV_OFFERED, or USR_MAKECALL event.

In the case of a GCEV_DETECTED event, the state transitions to the Detected state.

In the case of a GCEV_OFFERED event, the application calls **getCallAddrInfo()** to get and set DNIS and ANI and then calls **acceptCall()**. The state transitions to the Accepting state.

In the case of a USR_MAKECALL event, the application calls **makeCall()** and the state transitions to makingCall.

If the application receives a GCEV_DISCONNECTED event, it calls **getResultValue()** to get the disconnect reason and then calls **dropCall()**. If the **dropCall()** function fails, the application calls **resetLineDevice()** to reset the line device and the state transitions to Init. Otherwise, the state transitions to Dropping.

If the application receives a USR_DISCONNECT event it retrieves the DropReason from the EventData and calls **dropCall()**. If the **dropCall()** function fails, the application calls **resetLineDevice()** to reset the line device and the state transitions to Init. Otherwise, the state transitions to Dropping.

6.3.3 PSTNCallControl::Detected State

The application waits for a GCEV_OFFERED event. Upon receipt of the event, it calls **getCallAddrInfo()** to get and set DNIS and ANI and then calls **callAck()**. The state transitions to the Offered state.

If the application receives a GCEV_DISCONNECTED event, it calls **getResultValue()** to get the disconnect reason and then calls **dropCall()**. If the **dropCall()** function fails, the application calls **resetLineDevice()** to reset the line device and the call state transitions to Init. Otherwise, the state transitions to Dropping.

If the application receives a USR_DISCONNECT event it retrieves the DropReason from the EventData and calls **dropCall()**. If the **dropCall()** function fails, the application calls **resetLineDevice()** to reset the line device and the state transitions to Init. Otherwise, the state transitions to Dropping.

6.3.4 PSTNCallControl::Offered State

The application waits for a USR_ACCEPT or USR_ANSWER event.

In the case of USR_ACCEPT, the application calls **acceptCall()** and the state transitions to Accepting.

In the case of USR_ANSWER, the application calls **answerCall()** and the state transitions to Answering.

If the application receives a GCEV_DISCONNECTED event, it calls **getResultValue()** to get the disconnect reason and then calls **dropCall()**. If the **dropCall()** function fails, the application calls **resetLineDevice()** to reset the line device and the state transitions to Init. Otherwise, the state transitions to Dropping.

If the application receives a USR_DISCONNECT event it retrieves the DropReason from the EventData and calls **dropCall()**. If the **dropCall()** function fails, the application calls

resetLineDevice() to reset the line device and the state transitions to Init. Otherwise, the state transitions to Dropping.

6.3.5 PSTNCallControl::Accepting State

The application waits for a USR_ANSWER event. Upon receipt of the event, it calls **answerCall()** and the state transitions to Answering.

If the application receives a GCEV_ACCEPT event, it ignores the event and remains in the Accepting state.

If the application receives a GCEV_DISCONNECTED or GCEV_TASKFAIL event, it calls **getResultValue()** to get the disconnect reason and then calls **dropCall()**. If the **dropCall()** function fails, the application calls **resetLineDevice()** to reset the line device and the state transitions to Init. Otherwise, the state transitions to Dropping.

If the application receives a USR_DISCONNECT event it retrieves the DropReason from theEventData and calls **dropCall()**. If the **dropCall()** function fails, the application calls **resetLineDevice()** to reset the line device and the state transitions to Init. Otherwise, the state transitions to Dropping.

6.3.6 PSTNCallControl::Answering State

The application waits for a GCEV_ANSWERED event. Upon receipt of the event, the state transitions to Connected.

If the application receives a GCEV_DISCONNECTED or GCEV_TASKFAIL event, it calls **getResultValue()** to get the disconnect reason and then calls **dropCall()**. If the **dropCall()** function fails, the application calls **resetLineDevice()** to reset the line device and the state transitions to Init. Otherwise, the state transitions to Dropping.

If the application receives a USR_DISCONNECT event it retrieves the DropReason from theEventData and calls **dropCall()**. If the **dropCall()** function fails, the application calls **resetLineDevice()** to reset the line device and the state transitions to Init. Otherwise, the state transitions to Dropping.

6.3.7 PSTNCallControl::makingCall State

The application waits for a GCEV_CONNECTED event. Upon receipt of the event, the state transitions to Connected.

If the application receives a GCEV_ALERTING or GCEV_PROCEEDING event, it ignores the event and remains in the makingCall state.

If the application receives a GCEV_DISCONNECTED event, it calls **getResultValue()** to get the disconnect reason and then calls **dropCall()**. If the **dropCall()** function fails, the application calls **resetLineDevice()** to reset the line device and the state transitions to Init. Otherwise, the state transitions to Dropping.

If the application receives a USR_DISCONNECT event it retrieves the DropReason from the EventData and calls **dropCall()**. If the **dropCall()** function fails, the application calls **resetLineDevice()** to reset the line device and the state transitions to Init. Otherwise, the state transitions to Dropping.

6.3.8 PSTNCallControl::Connected State

The application waits for a GCEV_DISCONNECTED or USR_DISCONNECT event. In the case of GCEV_DISCONNECTED, the application calls **getResultValue()** to get the disconnect reason and then calls **dropCall()**. If the **dropCall()** function fails, the application calls **resetLineDevice()** to reset the line device and the state transitions to Init. Otherwise, the state transitions to Dropping.

In the case of USR_DISCONNECT, the application retrieves the DropReason from the EventData and calls **dropCall()**. If the **dropCall()** function fails, the application calls **resetLineDevice()** to reset the line device and the state transitions to Init. Otherwise, the state transitions to Dropping.

6.3.9 PSTNCallControl::Dropping State

The application waits for a GCEV_DROPCALL event. Upon receipt of the event, it calls **releaseCall()** and the state transitions to Releasing.

6.3.10 PSTNCallControl::Releasing State

The application waits for a GCEV_RELEASECALL event. Upon receipt of the event, the state transitions to Null.

6.4 IPControl State Machine

This section describes the PSTNCallControl state machine. It contains the following topics:

- [IPControl State Machine Description](#)
- [IPControl::Null State](#)
- [IPControl::getCallInfo State](#)
- [IPControl::offered State](#)
- [IPControl::accepting State](#)
- [IPControl::answering State](#)
- [IPControl::makingCall State](#)
- [IPControl::connected State](#)
- [IPControl::dropping State](#)
- [IPControl::dropped State](#)
- [IPControl::releasing State](#)

6.4.1 IPControl State Machine Description

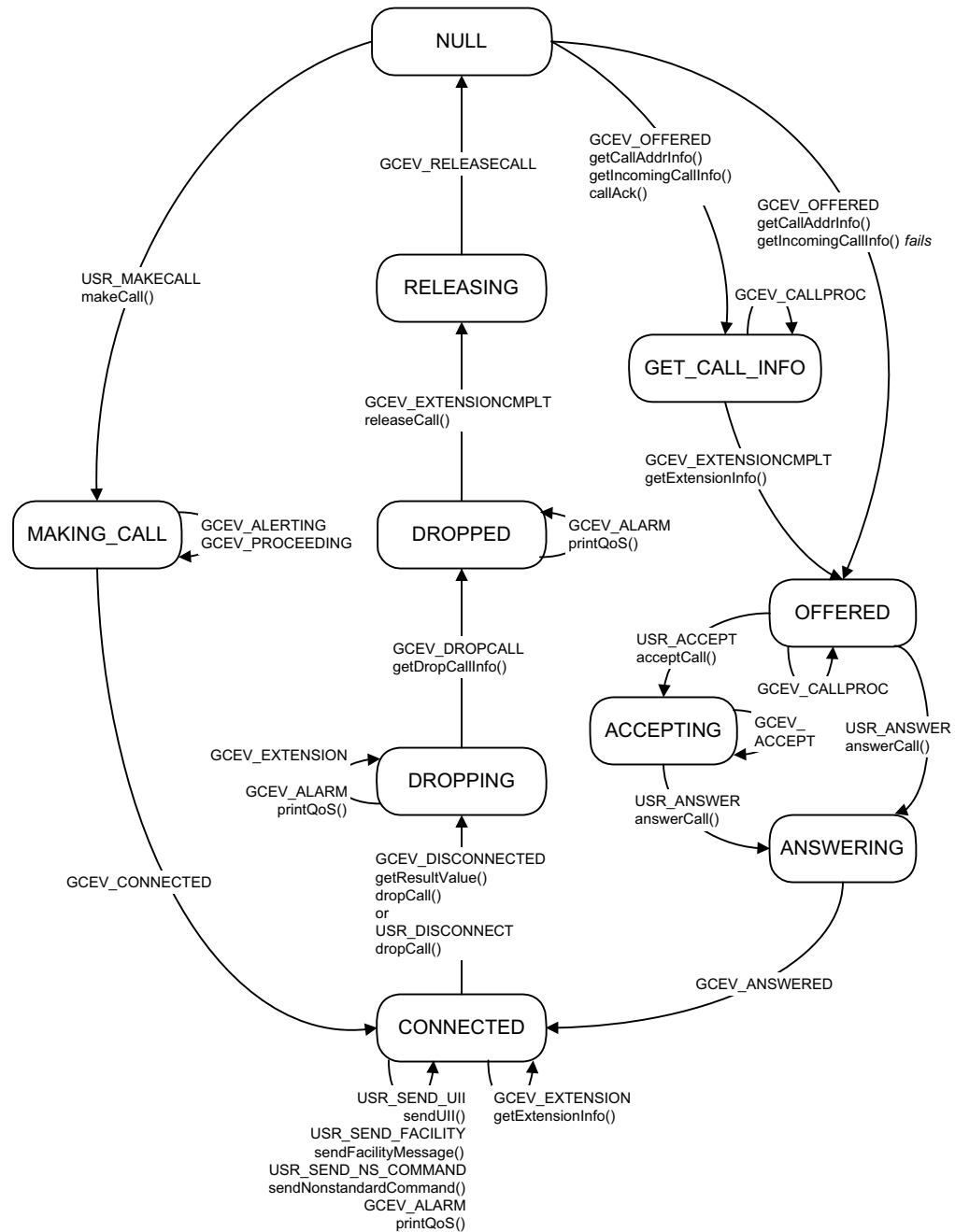
All channels are initialized to the NULL state upon application start.

As soon as an event is received, the event type, the channel number, and the reason for the event (if there is one), are analyzed and the appropriate state machine function is called.

After all the operations are performed within the channel's event state, the state machine function is updated.

The following state diagram describes the call states for the IPControl class.

Figure 9. IPCallControl State Machine



6.4.2 IPCallControl::Null State

The application waits for a GCEV_OFFERED or USR_MAKECALL event. In the case of GCEV_OFFERED, the application calls **getCallAddrInfo()** to get the destination and originator

Demo State Machines

from the IP message and set the member variables. The application then calls **getIncomingCallInfo()** which calls **gc_Extension()** to request extension information from the IP. If the function fails, the application does not wait for the complete message and the state transitions to Connected. Otherwise, the application calls **callAck()** and the state transitions to getCallInfo.

In the case of USR_MAKECALL, the application calls **makeCall()** and the state transitions to makingCall.

If the application receives a GCEV_DISCONNECTED event, it calls **getResultValue()** to get the disconnect reason and then calls **dropCall()**. If the **dropCall()** function fails, the application calls **resetLineDevice()** to reset the line device and the state transitions to Init. Otherwise, the state transitions to Dropping.

If the application receives a USR_DISCONNECT event it retrieves the DropReason from theEventData and calls **dropCall()**. If the **dropCall()** function fails, the application calls **resetLineDevice()** to reset the line device and the state transitions to Init. Otherwise, the state transitions to Dropping.

6.4.3 IPControl::getCallInfo State

The application waits for a GCEV_EXTENSIONCMPLT event. The application calls **getExtensionInfo()** and the state transitions to Offered.

If the application receives a GCEV_CALLPROC event, acknowledging the **callAck()** function, it ignores the event and remains in the getCallInfo state.

If the application receives a GCEV_DISCONNECTED or GCEV_TASKFAIL event, it calls **getResultValue()** to get the disconnect reason and then calls **dropCall()**. If the **dropCall()** function fails, the application calls **resetLineDevice()** to reset the line device and the state transitions to Init. Otherwise, the state transitions to Dropping.

If the application receives a USR_DISCONNECT event it retrieves the DropReason from theEventData and calls **dropCall()**. If the **dropCall()** function fails, the application calls **resetLineDevice()** to reset the line device and the state transitions to Init. Otherwise, the state transitions to Dropping.

6.4.4 IPControl::offered State

The application waits for a USR_ACCEPT or USR_ANSWER event. In the case of USR_ACCEPT, the application calls **acceptCall()** and the state transitions to Accepting.

In the case of USR_ANSWER, the application calls **answerCall()** and the state transitions to Answering.

If the application receives a GCEV_CALLPROC event, acknowledging the **callAck()** function, it ignores the event and remains in the Offered state.

If the application receives a GCEV_DISCONNECTED or GCEV_TASKFAIL event, it calls **getResultValue()** to get the disconnect reason and then calls **dropCall()**. If the **dropCall()**

function fails, the application calls **resetLineDevice()** to reset the line device and the state transitions to Init. Otherwise, the state transitions to Dropping.

If the application receives a USR_DISCONNECT event it retrieves the DropReason from the EventData and calls **dropCall()**. If the **dropCall()** function fails, the application calls **resetLineDevice()** to reset the line device and the state transitions to Init. Otherwise, the state transitions to Dropping.

6.4.5 IPControl::accepting State

The application waits for a USR_ANSWER event. Upon receipt of the event, it calls **answerCall()** and the state transitions to Answering.

If the application receives a GCEV_ACCEPT event, it ignores the event and remains in the Accepting state.

If the application receives a GCEV_DISCONNECTED or GCEV_TASKFAIL event, it calls **getResultValue()** to get the disconnect reason and then calls **dropCall()**. If the **dropCall()** function fails, the application calls **resetLineDevice()** to reset the line device and the state transitions to Init. Otherwise, the state transitions to Dropping.

If the application receives a USR_DISCONNECT event it retrieves the DropReason from the EventData and calls **dropCall()**. If the **dropCall()** function fails, the application calls **resetLineDevice()** to reset the line device and the state transitions to Init. Otherwise, the state transitions to Dropping.

6.4.6 IPControl::answering State

The application waits for a GCEV_ANSWERED event. Upon receipt of the event the state transitions to Connected.

If the application receives a GCEV_DISCONNECTED or GCEV_TASKFAIL event, it calls **getResultValue()** to get the disconnect reason and then calls **dropCall()**. If the **dropCall()** function fails, the application calls **resetLineDevice()** to reset the line device and the state transitions to Init. Otherwise, the state transitions to Dropping.

If the application receives a USR_DISCONNECT event it retrieves the DropReason from the EventData and calls **dropCall()**. If the **dropCall()** function fails, the application calls **resetLineDevice()** to reset the line device and the state transitions to Init. Otherwise, the state transitions to Dropping.

6.4.7 IPControl::makingCall State

The application waits for a GCEV_CONNECTED event. Upon receipt of the event, the state transitions to Connected.

If the application receives a GCEV_ALERTING or GCEV_PROCEEDING event, it ignores the event and remains in the makingCall state.

Demo State Machines

If the application receives a GCEV_DISCONNECTED or GCEV_TASKFAIL event, it calls **getResultValue()** to get the disconnect reason and then calls **dropCall()**. If the **dropCall()** function fails, the application calls **resetLineDevice()** to reset the line device and the state transitions to Init. Otherwise, the state transitions to Dropping.

If the application receives a USR_DISCONNECT event it retrieves the DropReason from the EventData and calls **dropCall()**. If the **dropCall()** function fails, the application calls **resetLineDevice()** to reset the line device and the state transitions to Init. Otherwise, the state transitions to Dropping.

6.4.8 IPControl::connected State

The application waits for a GCEV_DISCONNECTED or USR_DISCONNECT event. In the case of GCEV_DISCONNECTED, the application calls **getResultValue()** to get the disconnect reason and then calls **dropCall()**. If the **dropCall()** function fails, the application calls **resetLineDevice()** to reset the line device and the state transitions to Init. Otherwise, the state transitions to Dropping.

In the case of USR_DISCONNECT, the application retrieves the DropReason from the EventData and calls **dropCall()**. If the **dropCall()** function fails, the application calls **resetLineDevice()** to reset the line device and the state transitions to Init. Otherwise, the state transitions to Dropping.

If the application receives a GCEV_EXTENSION event, it calls **getExtensionInfo()** and remains in the Connected state.

If the application receives a USR_SEND_UII event, it calls **sendUII()** and remains in the Connected state.

If the application receives a USR_SEND_FACILITY event, it calls **sendFacilityMessage()** and remains in the Connected state.

If the application receives a USR_SEND_NS_COMMAND event, it calls **sendNonstandardCommand()** and remains in the Connected state.

If the application receives a GCEV_ALARM event, it calls **printQoS()** and remains in the Connected state.

6.4.9 IPControl::dropping State

The application waits for a GCEV_DROPCALL event. Upon receipt of the event, it calls **getDropCallInfo()**, which calls **gc_Extension()** and the state transitions to Dropped.

If the application receives a GCEV_EXTENSION event, it ignores the event and remains in the Dropping state.

If the application receives a GCEV_ALARM event, it calls **printQoS()** and remains in the Dropping state.

6.4.10 IPControl::dropped State

The application waits for a GCEV_EXTENSIONCMPLT event. Upon receipt of the event it calls **releaseCall()** and the state transitions to Releasing.

If the application receives a GCEV_ALARM event, it calls **printQoS()** and remains in the Dropped state.

6.4.11 IPControl::releasing State

The application waits for a GCEV_RELEASECALL event. Upon receipt of the event the state transitions to Null.

Demo State Machines

Glossary

Codec: see COder/DECOder

COder/DECOder: A circuit used to convert analog voice data to digital and digital voice data to analog audio.

Computer Telephony (CT): Adding computer intelligence to the making, receiving, and managing of telephone calls.

DTMF: Dual-Tone Multi-Frequency

Dual-Tone Multi-Frequency: A way of signaling consisting of a push-button or touch-tone dial that sends out a sound consisting of two discrete tones that are picked up and interpreted by telephone switches (either PBXs or central offices).

Emitting Gateway: called by a G3FE. It initiates IFT service for the calling G3FE and connects to a Receiving Gateway.

E1: The 2.048 Mbps digital carrier system common in Europe.

FCD file: An ASCII file that lists any non-default parameter settings that are necessary to configure a Dialogic® DM3 hardware/firmware product for a particular feature set. The downloader utility reads this file, and for each parameter listed generates and sends the DM3 message necessary to set that parameter value.

Frame: A set of SCbus/CT Bus timeslots which are grouped together for synchronization purposes. The period of a frame is fixed (at 125 μ sec) so that the number of time slots per frame depends on the SCbus/CT Bus data rate.

G3FE: Group 3 Fax Equipment. A traditional fax machine with analog PSTN interface.

Gatekeeper: An H.323 entity on the Internet that provides address translation and control access to the network for H.323 Terminals and Gateways. The Gatekeeper may also provide other services to the H.323 terminals and Gateways, such as bandwidth management and locating Gateways.

Gateway: A device that converts data into the IP protocol. It often refers to a voice-to-IP device that converts an analog voice stream, or a digitized version of the voice, into IP packets.

H.323: A set of International Telecommunication Union (ITU) standards that define a framework for the transmission of real-time voice communications through Internet protocol (IP)-based packet-switched networks. The H.323 standards define a gateway and a gatekeeper for customers who need their existing IP networks to support voice communications.

IAF: Internet Aware Fax. The combination of a G3FE and a T.38 gateway.

IFP: Internet Facsimile Protocol

IFT: Internet Facsimile Transfer

International Telecommunications Union (ITU): An organization established by the United Nations to set telecommunications standards, allocate frequencies to various uses, and hold trade shows every four years.

Internet: An inter-network of networks interconnected by bridges or routers. LANs described in H.323 may be considered part of such inter-networks.

Internet Protocol (IP): The network layer protocol of the transmission control protocol/Internet protocol (TCP/IP) suite. Defined in STD 5, Request for Comments (RFC) 791. It is a connectionless, best-effort packet switching protocol.

Internet Service Provider (ISP): A vendor who provides direct access to the Internet.

Internet Telephony: The transmission of voice over an Internet Protocol (IP) network. Also called Voice over IP (VoIP), IP telephony enables users to make telephone calls over the Internet, intranets, or private Local Area Networks (LANs) and Wide Area Networks (WANs) that use the Transmission Control Protocol/Internet Protocol (TCP/IP).

ITU: See International Telecommunications Union.

Jitter: The deviation of a transmission signal in time or phase. It can introduce errors and loss of synchronization in high-speed synchronous communications.

NIC (Network Interface Card): Adapter card inserted into computer that contains necessary software and electronics to enable a station to communicate over network.

PCD file: An ASCII text file that contains product or platform configuration description information that is used by the DM3 downloader utility program. Each of these files identifies the hardware configuration and firmware modules that make up a specific hardware/firmware product. Each type of Dialogic DM3-based product used in a system requires a product-specific PCD file.

PSTN: see Public Switched Telephone Network

Public Switched Telephone Network: The telecommunications network commonly accessed by standard telephones, key systems, Private Branch Exchange (PBX) trunks and data equipment.

Reliable Channel: A transport connection used for reliable transmission of an information stream from its source to one or more destinations.

Reliable Transmission: Transmission of messages from a sender to a receiver using connection-mode data transmission. The transmission service guarantees sequenced, error-free, flow-controlled transmission of messages to the receiver for the duration of the transport connection.

RTCP: Real Time Control Protocol

RTP: Real Time Protocol

SIP: Session Initiation Protocol: an Internet standard specified by the Internet Engineering Task Force (IETF) in RFC 3261. SIP is used to initiate, manage, and terminate interactive sessions between one or more users on the Internet.

T1: A digital transmission link with a capacity of 1.544 Mbps used in North America. Typically channeled into 24 digital subscriber level zeros (DS0s), each capable of carrying a single voice conversation or data stream. T1 uses two pairs of twisted pair wires.

TCP: see Transmission Control Protocol

Terminal: An H.323 Terminal is an endpoint on the local area network which provides for real-time, two-way communications with another H.323 terminal, Gateway, or Multipoint Control Unit. This communication consists of control, indications, audio, moving color video pictures, and/or data between the two terminals. A terminal may provide speech only, speech and data, speech and video, or speech, data, and video.

Transmission Control Protocol: The TCP/IP standard transport level protocol that provides the reliable, full duplex, stream service on which many application protocols depend. TCP allows a process on one machine to send a stream of data to a process on another. It is connection-oriented in the sense that before transmitting data, participants must establish a connection.

UDP: see User Datagram Protocol

UDPTL: Facsimile UDP Transport Layer protocol

User Datagram Protocol: The TCP/IP standard protocol that allows an application program on one machine to send a datagram to an application program on another machine. Conceptually, the important difference between UDP datagrams and IP datagrams is that UDP includes a protocol port number, allowing the sender to distinguish among multiple destinations on the remote machine.

VAD: Voice Activity Detection

Index

Symbols

{while(1)} 38

A

acceptCall() 51, 56

answerCall() 51, 52, 56, 57

C

callAck() 51, 56

callback_hdr() 38

Channel Class 29

Class Diagram 29

Configuration Class 30

D

Demo Description 11

Demo Details 25

Demo Options 21

Demo Source Code Files 25

Demo State Machines 41

DigitalPSTNBoard Class 33

dropCall() 51, 52, 53, 56, 57, 58

E

Event Handling 38

Event Mechanism 38

F

Files Used by the Demo 25

G

gc_Extension() 56, 58

gc_GetMetaEvent() 39

gc_OpenEx() 35

gc_Start() 37

getCallAddrInfo() 51, 55

getDestAddr() 43, 46, 47

getDropCallInfo() 58

getExtensionInfo() 56, 58

getIncomingCallInfo() 56

getResultValue() 43, 44, 47, 48, 51, 52, 53, 56, 57, 58

GWCall

gateNull State 42, 46, 50, 51, 52, 53, 55, 56

GWCall Class 32

GWCall State Machine - Inbound Call from IP 41, 45

GWCall State Machine - Inbound Call from PSTN 45

GWCall State Machine Description - Inbound from IP 41, 45

H

Handling Application Exit Events 39

Handling Keyboard Input Events 38

Handling SRL Events 38

Hardware Requirements 13

I

init() 37, 38

Initialization 36

IPCallControl Class 32

IPCallControl State Machine 53

IPMediaBoard Class 32

IPMediaDevice Class 33

isDropped() 44, 48

isReleased() 44, 49

M

main() 37, 38, 39

makeCall() 51, 56

P

PDL Files 27

PDLSetApplicationExitPath() 39

PDLsr_enbhdr() 37, 38

PDLsr_getevtdev() 38

PDLsr_getevttype() 39

printAllLibs() 37

printQoS() 58, 59
processEvent() 44, 47, 48
processEvent(CCEV_OFFERED) 43
processEvent(USR_ACCEPT) 43, 47
processEvent(USR_ANSWER) 43, 47
processEvent(USR_DISCONNECT) 43, 44, 47, 48
processEvent(USR_MAKECALL) 43, 47
Programming Model Classes 28
PSTNCallControl Class 33
PSTNCallControl State Machine 49

R

R4Device Class 35
R4LogicalBoard Class 35
releaseCall() 53, 59
resetLineDevice() 51, 52, 53, 56, 57, 58
ResourceManager Class 33
resourceManager.configure() 37
resourceManager.getChannelsNum() 37
resourceManager.init() 37
Running the Demo 21

S

sendFacilityMessage() 58
sendNonstandardCommand() 58
sendUII() 58
Software Requirements 13
sr_enblhdlr() 36
Starting the Demo 21
Stopping the Demo 23
System Requirements 13

T

Threads 36

U

Using the Demo 22
Utility Files 27

W

waitForKey() 38